

201L LIQUID FILLED BOTTOM CONNECTED 1-1/2" DIAL WITH 1/8" NPT CONNECTION

Our '200' series gauge line is a high quality line of liquid filled gauges. The glycerin filling helps dampen the effects of pulsation and vibration, while also perpetually lubricating the movement (and keeping contaminants such as dirt away from all moving parts) which will extend the life of the gauge.

This gauge has been specifically designed with original equipment manufacturers in mind and are typically used on hydraulic & pneumatic systems as well as any commercial or industrial application not corrosive to brass and bronze wetted parts where glycerin filling is suitable for use.

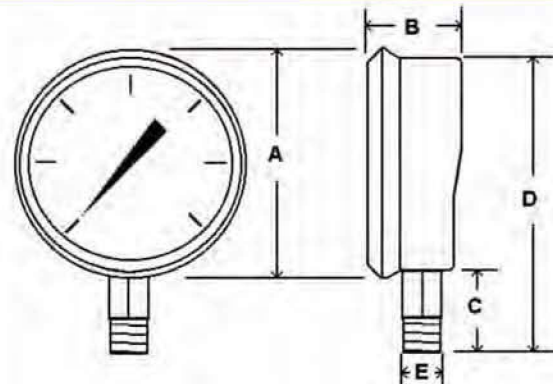
SPECIFICATIONS:

- **Dial Size:** 1 1/2"
- **Connection Size:** 1/8"MNPT
- **Stainless Steel Case And Bezel**
- **Brass Internals & Connection**
- **Phosphor Bronze Bourdon Tube**
- **Liquid Filled (Dry Available)**
- **Accuracy :** 1 1/2" Dial Size = 3-2-3 %
- **Dual Scale: PSI & Bar (x100=kPa)**
Single Scale available from stock
- **Ambient temperature:** FILLED: 30°F to 160°F
DRY: -30°F to 180°F



PART #	RANGE	CODE	Major In	Minor In
201L-158A	30/0"VAC	A	5	0.5
201L-158B	0/15	B	2	0.2
201L-158C	0/30	C	5	0.5
201L-158D	0/60	D	10	1
201L-158E	0/100	E	20	2
201L-158F	0/160	F	20	2
201L-158G	0/200	G	40	4
201L-158H	0/300	H	50	5
201L-158I	0/400	I	50	5
201L-158J	0/500	J	100	10
201L-158K	0/600	K	100	10
201L-158L	0/800	L	100	10
201L-158M	0/1000	M	200	20
201L-158N	0/1500	N	200	20
201L-158O	0/2000	O	400	50
201L-158P	0/3000	P	500	50
201L-158Q	0/4000	Q	500	50
201L-158R	0/5000	R	1000	100
201L-158S	0/6000	S	2000	200
201L-158U	0/10,000	U	2000	200
201L-158V	0/15,000	V	2000	200

Some ranges not available in all dial sizes, please call with your particular application



		A	B	C	D	E
1 1/2" Dial	In	1.88	1.06	.89	2.77	1/8"
	MM	48	27	23	58	NPT



201L LIQUID FILLED BOTTOM CONNECTED 2" DIAL WITH 1/8" NPT CONNECTION

Our '200' series gauge line is a high quality line of liquid filled gauges. The glycerin filling helps dampen the effects of pulsation and vibration, while also perpetually lubricating the movement (and keeping contaminants such as dirt away from all moving parts) which will extend the life of the gauge.

This gauge has been specifically designed with original equipment manufacturers in mind and are typically used on hydraulic & pneumatic systems as well as any commercial or industrial application not corrosive to brass and bronze wetted parts where glycerin filling is suitable for use.

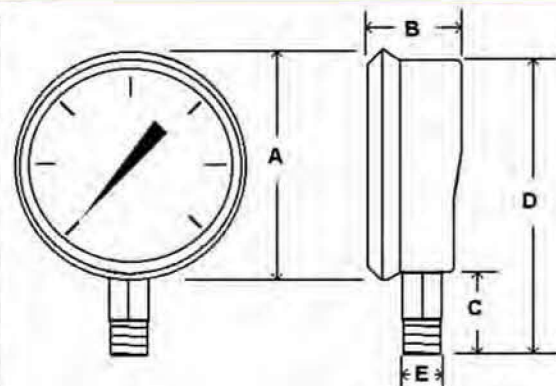
SPECIFICATIONS:

- **Dial Size:** 2"
- **Connection Size:** 1/8" MNPT
- **Stainless Steel Case And Bezel**
- **Brass Internals & Connection**
- **Phosphor Bronze Bourdon Tube**
- **Liquid Filled (Dry Available)**
- **Accuracy :** 2" Dial Size = 3-2-3 %
- **Dual Scale: PSI & Bar (x100=kPa)**
Single Scale available from stock
- **Ambient temperature:** FILLED: 30°F to 160°F
DRY: -30°F to 180°F



PART #	RANGE	CODE	Major In	Minor In
201L-208A	30/0"VAC	A	5	0.5
201L-208B	0/15	B	2	0.2
201L-208C	0/30	C	5	0.5
201L-208D	0/60	D	10	1
201L-208E	0/100	E	20	2
201L-208F	0/160	F	20	2
201L-208G	0/200	G	40	4
201L-208H	0/300	H	50	5
201L-208I	0/400	I	50	5
201L-208J	0/500	J	100	10
201L-208K	0/600	K	100	10
201L-208L	0/800	L	100	10
201L-208M	0/1000	M	200	20
201L-208N	0/1500	N	200	20
201L-208O	0/2000	O	400	50
201L-208P	0/3000	P	500	50
201L-208Q	0/4000	Q	500	50
201L-208R	0/5000	R	1000	100
201L-208S	0/6000	S	2000	200
201L-208U	0/10,000	U	2000	200
201L-208V	0/15,000	V	2000	200

Some ranges not available in all dial sizes, please call with your particular application



		A	B	C	D	E
2" Dial	In	2.24	1.27	.71	2.80	1/8"
	MM	57	32	23	71	NPT



HYDRA-FLEX
HOSE AND FITTINGS
SOLUTIONS CENTER



201L LIQUID FILLED BOTTOM CONNECTED 2" DIAL WITH 1/4" NPT CONNECTION

Our '200' series gauge line is a high quality line of liquid filled gauges. The glycerin filling helps dampen the effects of pulsation and vibration, while also perpetually lubricating the movement (and keeping contaminants such as dirt away from all moving parts) which will extend the life of the gauge.

This gauge has been specifically designed with original equipment manufacturers in mind and are typically used on hydraulic & pneumatic systems as well as any commercial or industrial application not corrosive to brass and bronze wetted parts where glycerin filling is suitable for use.

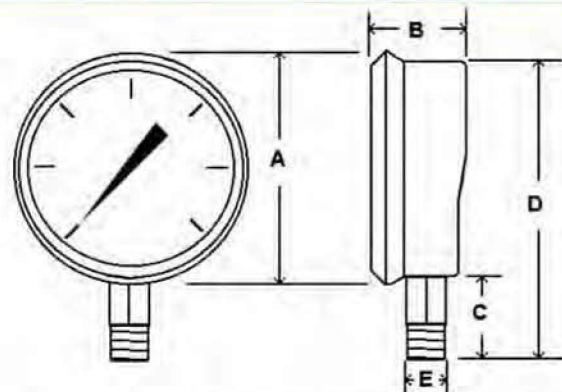
SPECIFICATIONS:

- **Dial Size:** 2"
- **Connection Size:** 1/4" MNPT
- **Stainless Steel Case And Bezel**
- **Brass Internals & Connection**
- **Phosphor Bronze Bourdon Tube**
- **Liquid Filled (Dry Available)**
- **Accuracy :** 2" Dial Size = 3-2-3 %
- **Dual Scale: PSI & Bar (x100=kPa)**
Single Scale available from stock
- **Ambient temperature:** FILLED: 30°F to 160°F
DRY: -30°F to 180°F



PART #	RANGE	CODE	Major In	Minor In
201L-204A	30/0"VAC	A	5	0.5
201L-204B	0/15	B	2	0.2
201L-204C	0/30	C	5	0.5
201L-204D	0/60	D	10	1
201L-204E	0/100	E	20	2
201L-204F	0/160	F	20	2
201L-204G	0/200	G	40	4
201L-204H	0/300	H	50	5
201L-204I	0/400	I	50	5
201L-204J	0/500	J	100	10
201L-204K	0/600	K	100	10
201L-204L	0/800	L	100	10
201L-204M	0/1000	M	200	20
201L-204N	0/1500	N	200	20
201L-204O	0/2000	O	400	50
201L-204P	0/3000	P	500	50
201L-204Q	0/4000	Q	500	50
201L-204R	0/5000	R	1000	100
201L-204S	0/6000	S	2000	200
201L-204U	0/10,000	U	2000	200
201L-204V	0/15,000	V	2000	200

Some ranges not available in all dial sizes, please call with your particular application



		A	B	C	D	E
2" Dial	In	2.24	1.27	.71	2.80	1/4"
	MM	57	32	23	71	NPT



HYDRA-FLEX
HOSE AND FITTINGS
SOLUTIONS CENTER



201L LIQUID FILLED BOTTOM CONNECTED 2-1/2" DIAL WITH 1/4" NPT CONNECTION

Our '200' series gauge line is a high quality line of liquid filled gauges. The glycerin filling helps dampen the effects of pulsation and vibration, while also perpetually lubricating the movement (and keeping contaminants such as dirt away from all moving parts) which will extend the life of the gauge.

This gauge has been specifically designed with original equipment manufacturers in mind and are typically used on hydraulic & pneumatic systems as well as any commercial or industrial application not corrosive to brass and bronze wetted parts where glycerin filling is suitable for use.

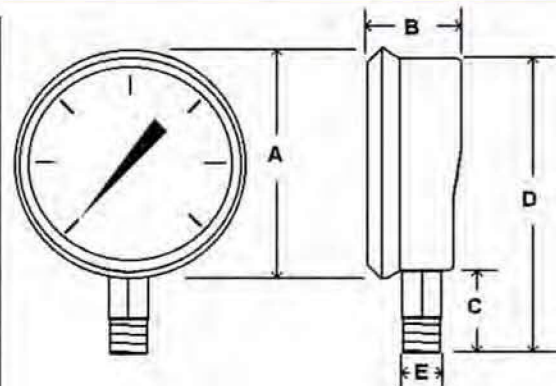
SPECIFICATIONS:

- **Dial Size:** 2 1/2"
- **Connection Size:** 1/4" MNPT
- **Stainless Steel Case And Bezel**
- **Brass Internals & Connection**
- **Phosphor Bronze Bourdon Tube**
- **Liquid Filled (Dry Available)**
- **Accuracy :** 2 1/2" Dial Size = 1.5 %
- **Dual Scale: PSI & Bar (x100=kPa)**
Single Scale available from stock
- **Ambient temperature:** FILLED: 30°F to 160°F
DRY: -30°F to 180°F



PART #	RANGE	CODE	Major In	Minor In
201L-254A	30/0"VAC	A	5	0.5
201L-254B	0/15	B	2	0.2
201L-254C	0/30	C	5	0.5
201L-254D	0/60	D	10	1
201L-254E	0/100	E	20	2
201L-254F	0/160	F	20	2
201L-254G	0/200	G	40	4
201L-254H	0/300	H	50	5
201L-254I	0/400	I	50	5
201L-254J	0/500	J	100	10
201L-254K	0/600	K	100	10
201L-254L	0/800	L	100	10
201L-254M	0/1000	M	200	20
201L-254N	0/1500	N	200	20
201L-254O	0/2000	O	400	50
201L-254P	0/3000	P	500	50
201L-254Q	0/4000	Q	500	50
201L-254R	0/5000	R	1000	100
201L-254S	0/6000	S	2000	200
201L-254U	0/10,000	U	2000	200
201L-254V	0/15,000	V	2000	200

Some ranges not available in all dial sizes, please call with your particular application



		A	B	C	D	E
2 1/2" Dial	In	2.80	1.28	1.07	3.55	1/4"
	MM	71	33	27	90	NPT