



Beta Clamps - Overview



Beta Clamps are ideal for clamping pipe, tube, hose, and electric cables. They are an economical and easy way of securing them in all types of terrestrial, marine, O.E.M. and Industrial applications. Thanks to the advanced features and the breadth and depth of our product offering, Beta Clamps are used in all areas of industrial, mobile and marine hydraulics, general industrial pipe construction, the field of press technology, instrumentation and control technology and many more.

- Beta Clamps offer shock-absorption, vibration dampening and noise reducing properties.
- Beta Clamps feature a practical and economical design which make for quick, easy pipe installation and layout.
- Using weldable plates, it's easy to anchor the clamps to machinery and steel work.
- Fast, safe, economic installation and service in piping system.
- Upper and lower clamp half are identical.
- Ribs in clamp bore are designed to absorb shock and vibration in the direction of the tube axis.
- Due to their design the clamps can be easily cleaned.

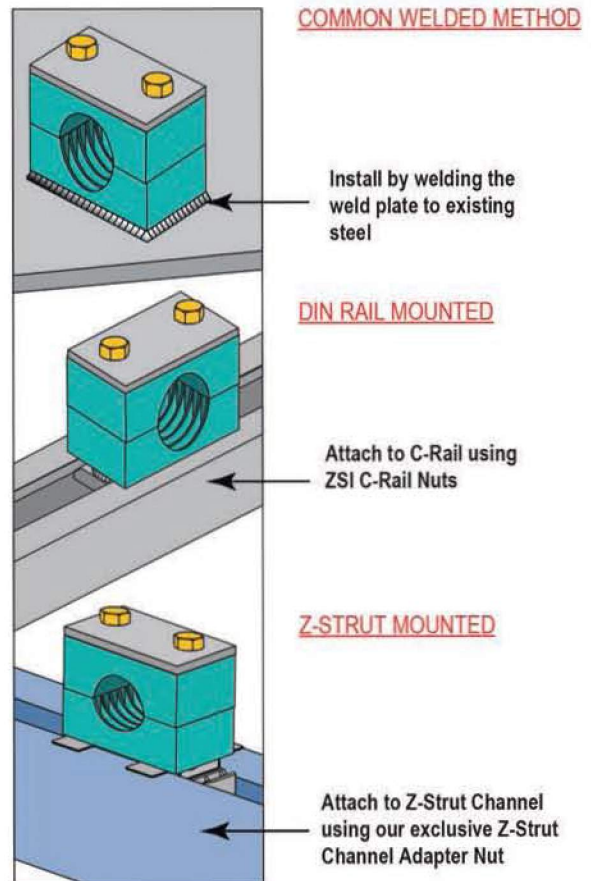
CLAMP BODY

- Standard – Polypropylene (Green Color)
-22°F to 194°F (-30°C to +90°C)
- Aluminum is available for use in high heat applications

CLAMP COMPONENTS – The other metallic components of the clamps are manufactured in:

- Lower and upper plates: steel, stainless steel type 304
- Screw bolts: steel, S40C, stainless steel type 304
- Other metallic on request.

ZSi offers an installation option for all of your application needs.





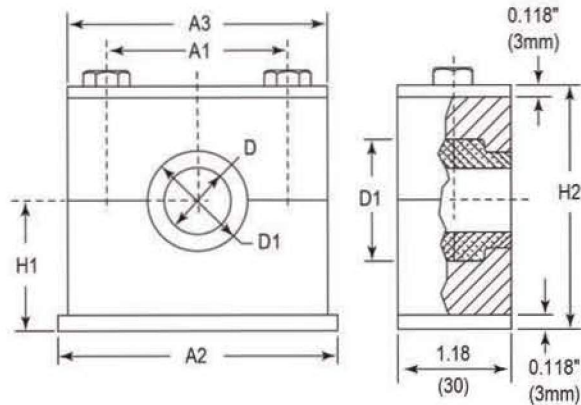
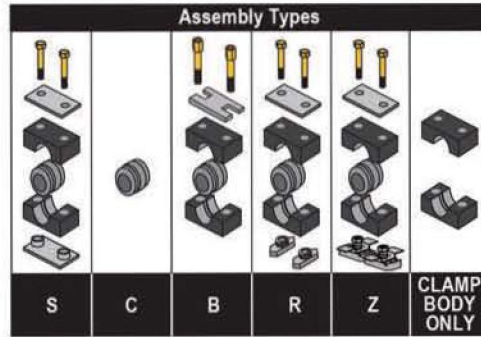
ZSI **Beta Clamps - Rubber Insert**

BETA CLAMPS
STANDARD RUBBER INSERT



- One cushion block provides flexible size range of cushioning.
- Smooth bore core can be used on hose, or for vibration reduction
- Broad range of metric sizes.
- Maintains center line when used in groups.

INSTALLATION - Refer to pages 115-117 for complete installation guide.



Group	Part No.	Bore Size Ø D in (mm)	Tube O.D.	Pipe Size	Nom. Size Hose O.D. Min - Max	Dimensions – inches (mm)							Bolt Size
						D	D1	H1	H2	A1	A2	A3	
S4	SM4006RI	0.24 (6)	-	-	0.22 - 0.24	1.00 (25.5)	1.22 (31)	0.925 (23.5)	1.85 (47)	1.57 (40)	2.32 (59)	2.24 (57)	1/4-20 x1-3/4
	SM4008RI	0.32 (8)	1/8"	-	0.30 - 0.32								
	S4007RI	0.39 (10)	-	1/8"	0.37 - 0.39								
	SM4012RI	0.47 (12)	-	-	0.45 - 0.47								
	S4008RI	0.50 (13)	1/2"	-	0.48 - 0.50								
	SM4014RI	0.55 (14)	-	-	0.53 - 0.55								
	SM4015RI	0.59 (15)	-	-	0.57 - 0.59								
	S4010RI	0.63 (16)	5/8"	-	0.61 - 0.63								
	S4011RI	0.68 (17)	-	3/8"	0.66 - 0.68								
	S4012RI	0.75 (19)	3/4"	-	0.73 - 0.75								
S4C	Clamp Body Only (Group S4)												
S6	S6014RI	0.79 (20)	-	1/2"	0.77 - 0.79	1.54 (39)	1.81 (46)	1.40 (35.5)	2.80 (71)	2.60 (66)	3.46 (88)	3.39 (86)	1/4-20 x2-3/4
	S6015RI	0.87 (22)	7/8"	-	0.85 - 0.87								
	S6016RI	0.98 (25)	1"	-	0.96 - 0.98								
	S6017RI	1.06 (27)	-	3/4"	1.04 - 1.06								
	SM6028RI	1.10 (28)	-	-	1.08 - 1.10								
	SM6030RI	1.18 (30)	-	-	1.16 - 1.18								
	S6020RI	1.26 (32)	1-1/4"	-	1.24 - 1.26								
S6C	Clamp Body Only (Group S5)												

*For additional sizes and stainless steel contact factory.
Note: Add Assembly type to Part No. - Example: **SM4006RIS** provides the complete assembly as shown

Customized Clamping
 Insulating Clamping
 Loop & Hose Clamps
 Cush-A-Block
 Z-Strut Channels
 Beta Clamps
 Z-Clamps
 Gamma Pads
 BRECO Quick Disconnect



Beta Clamps - Heavy Rubber Insert

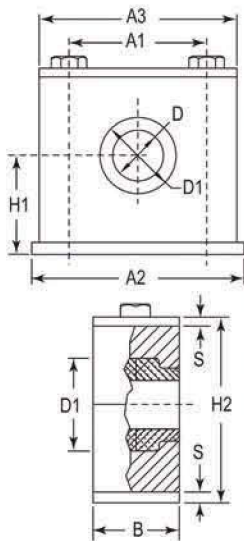
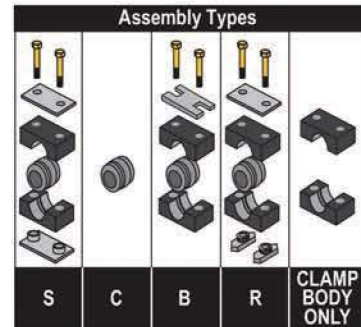


BETA CLAMPS HEAVY RUBBER INSERT



- One cushion block provides flexible size range of cushioning.
- Smooth bore core can be used on hose, or for vibration reduction
- Broad range of metric sizes.
- Maintains center line when used in groups.
- Used for high pressure hydraulics and heavy duty operations.
- Used for intermittent load and high oil speeds.
- Increase size range over standard series.

INSTALLATION - Refer to pages 115-117 for installation guide.

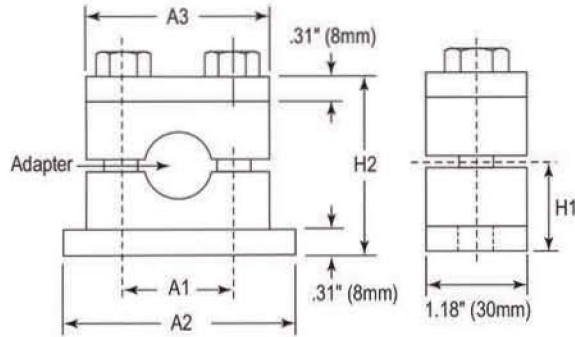


Group	Part No.	Bore Ø D in. (mm)	Tube O.D.	Pipe Size	Nom. Size Hose O.D.	Dimensions -inches (mm)								Bolt Size		
						D	D1	B	H1	H2	A1	A2	A3		S	
H4	HM4006RI	0.24 (6)	-	-	0.22 - 0.24											
	HM4008RI	0.32 (8)	1/16"	-	0.30 - 0.32											
	H4007RI	0.39 (10)	-	1/8"	0.37 - 0.39											
	HM4012RI	0.47 (12)	-	-	0.45 - 0.47											
	H4008RI	0.50 (12.7)	1/2"	-	0.48 - 0.50	1.00 (25.5)	1.24 (31.5)	1.18 (30)	1.22 (31)	2.44 (62)	1.77 (45)	3.35 (85)	2.76 (70)	0.32 (8)	3/8-16x 2-1/4	
	HM4014RI	0.55 (14)	-	-	0.53 - 0.55											
	HM4015RI	0.59 (15)	-	-	0.57 - 0.59											
	H4010RI	0.63 (16)	5/8"	-	0.61 - 0.63											
	H4011RI	0.68 (17.2)	-	3/8"	0.66 - 0.68											
H4012RI	0.75 (19)	-	3/4"	0.73 - 0.75												
H4C	Clamp Body Only (Group H4)															
H5	H5014RI	0.79 (20)	-	1/2"	0.77 - 0.79											
	H5015RI	0.87 (22)	7/8"	-	0.85 - 0.87											
	H5016RI	0.98 (25)	1"	-	0.96 - 0.98											
	H5017RI	1.06 (26.9)	-	3/4"	1.04 - 1.06	1.54 (39)	1.83 (46.5)	1.18 (30)	1.46 (37)	2.91 (74)	2.36 (60)	3.94 (100)	3.35 (85)	0.32 (8)	3/8-16x 2-3/4	
	HM5028RI	1.10 (28)	-	-	1.08 - 1.10											
	HM5030RI	1.18 (30)	-	-	1.16 - 1.18											
	H5020RI	1.26 (32)	1-1/4"	-	1.24 - 1.26											
H5C	Clamp Body Only (Group H5)															
H6	H6021RI	1.33 (33.7)	-	1"	1.31 - 1.33											
	HM6035RI	1.38 (35)	-	-	1.36 - 1.38											
	H6024RI	1.50 (38)	1-1/2"	-	1.48 - 1.50											
	HM6040RI	1.58 (40)	-	-	1.56 - 1.58											
	H6027RI	1.65 (42)	-	1-1/4"	1.63 - 1.65	2.56 (65)	2.91 (74)	1.77 (45)	2.11 (53.5)	4.21 (107)	3.56 (90.5)	5.51 (140)	4.53 (115)	0.39 (10)	1/2-13x 4	
	HM6045RI	1.79 (45.5)	-	-	1.77 - 1.79											
	H6030RI	1.89 (48)	-	1-1/2"	1.87 - 1.89											
	H6032RI	2.01 (51)	2"	-	1.99 - 2.01											
	H6034RI	2.10 (53.4)	2-1/8"	-	2.08 - 2.10											
HM6056RI	2.22 (56.4)	-	-	2.2 - 2.22												
H6C	Clamp Body Only (Group H6)															
H7	H7038RI	2.36 (60)	-	2"	2.34 - 2.36											
	HM7065RI	2.56 (65)	-	-	2.54 - 2.56											
	HM7070RI	2.76 (70)	-	-	2.74 - 2.76	3.50 (89)	3.86 (98)	2.36 (60)	2.70 (68.5)	5.39 (137)	4.80 (122)	7.09 (180)	5.98 (152)	0.39 (10)	5/8-11x 5-1/2	
	H7046RI	2.87 (73)	-	2-1/2"	2.85 - 2.87											
	H7050RI	2.99 (76)	3"	-	2.97 - 2.99											
H7C	Clamp Body Only (Group H7)															
H8	HM8083RI	3.27 (83)	-	-	3.19 - 3.27	4.57 (116)	5.20 (132)	3.15 (80)	3.88 (98.5)	7.76 (197)	6.61 (168)	8.86 (225)	8.07 (205)	0.59 (15)	3/4-10x 7-1/2	
	H8056RI	3.50 (89)	3-1/2"	3"	3.43 - 3.50											
	H8C	Clamp Body Only (Group H8)														

*For additional sizes and stainless steel contact factory.



ZSi **Beta Adapter**



	A1	A2	A3	H1	H2	Hex Bolt
Group 1 H4 BETA	45mm 1.77	85mm 3.34	70mm 2.75	32mm 1.25	64mm 2.51	3/8"-16 x 2-1/4"
Group 2 H5 BETA	60mm 2.36	100mm 3.93	84mm 3.30	38mm 1.49	76mm 2.99	3/8"-16 x 2-3/4"

The **BETA-ADAPTER** allows a clamping junction to be inserted into virtually any hydraulic line. The exclusive square bodied junction adapter design can be used with metallic tubing or hydraulic hose ends. It provides a point of union for hydraulic runs which transition from one form of conveyance to another (i.e. hose to tubing). Once inserted into the customized Beta-Adapter clamp body, the junction point is securely clamped fighting the effects of vibration, insuring a leak-free system.

- Beta-Adapter cushions can also be used with rubber inserts.
- Z-Clamp split bushings from Group 1 can be utilized with the basic Beta-Adapter Group 4 cushion.
- Z-Clamp bushings from Group 2 coincide with Group 5 Beta-Adapter assemblies.
- The split bushings provide extra vibration absorption for delicate clamping surfaces.

INSTALLATION - Refer to page 117 for complete installation guide.



		Tube Size	Group 1 (H4) Part No.	Group 2 (H5) Part No.
	37° JIC	1/4"	H4MJA1-4-S	H5MJA2-4-S
		3/8"	H4MJA1-6-S	H5MJA2-6-S
		1/2"	H4MJA1-8-S	H5MJA2-8-S
		5/8"	H4MJA1-10-S	H5MJA2-10-S
		3/4"	-	H5MJA2-12-S
		5/8"	-	H5MJA2-14-S
	O-Ring Face Seal	3/8"	H4MJO1-6-S	H5MJO2-6-S
		1/2"	H4MJO1-8-S	H5MJO2-8-S
		5/8"	H4MJO1-10-S	H5MJO2-10-S
		3/4"	-	H5MJO2-12-S
	Female Junction	1/2"	H4FJA1-8-S	-
		3/4"	-	H5FJA2-12-S
	Female Pipe	3/8" NPT	H4FJA1-6P-S	H5FJA2-12P-S
	Beta Cushions Only (Set of Two)	-	H4JCN-C	H5JCN-C
	Z-Clamp Split Bushing	-	HAC-1 (1-1/2" SERIES) CAN BE USED	HAC-2 (2" SERIES) CAN BE USED

Cushioned Clamping
 Insulating Clamping
 Loop & Hose Clamps
 Cush-A-Block
 Z-Strut Channells
 Beta Clamps
 Z-Clamps
 Examini Pads
 BRECO Quick Disconnect



Beta Clamps - Overview

BETA STANDARD



- For standard hydraulics and systems with less than 1500 PSI without dynamic loads
- Polypropylene cushion
- Steel components

BETA HEAVY



- For systems with greater than 1500 PSI operating pressure, operations with pressure surges, and applications with wide temperature fluctuations.
- Absorbs high levels of shock, noise, and vibration
- Polypropylene cushion & steel components

BETA TWIN



- For standard hydraulics, general pipe construction and electrical cables
- Polypropylene cushion
- Steel components

BETA SMOOTHIE



- Reduces wear on hose connection caused by vibration and surge.
- Chamfered and smooth core protects hose cover and extends hose life.
- Uses Beta Standard hardware
- Polypropylene cushion
- Steel components

BETA SMOOTHIE TWIN



- Reduces wear on hose connection caused by vibration and surge.
- Chamfered and smooth core protects hose cover and extends hose life.
- Uses Beta Twin hardware
- Polypropylene cushion
- Steel components

BETA SPECIAL METALS (ALUMINUM, STAINLESS STEEL)



- Aluminum cushions with steel components are used in high heat applications up to 500°
- Stainless steel clamp hardware with polypropylene cushion are used in applications where external corrosion is a concern.

BETA RUBBER INSERTS



- Available in standard and heavy
- One cushion block provides flexible size range of cushioning.
- Smooth bore core can be used on hose, or for vibration reduction

BETA ADAPTER



- Allows a clamping junction to be inserted into hydraulic lines.
- The adapter body is offered in two sizes for use with the Z-Clamp adapter inserts.

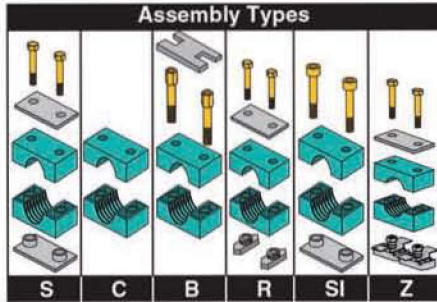


Beta Clamps - Standard



BETA CLAMPS

STANDARD SERIES



Steel w/
Polypropylene
Cushion

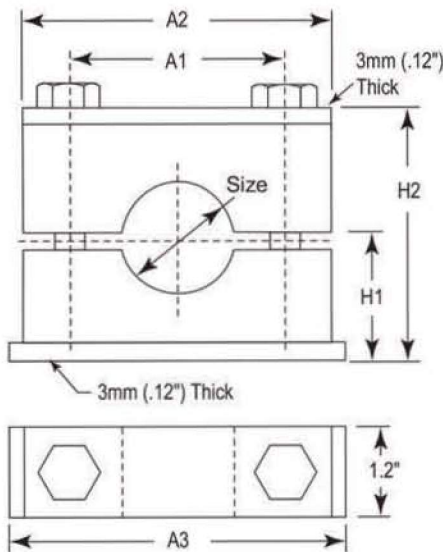


Steel w/
Aluminum
Cushion

BETA STANDARD SERIES

- Cushions are Polypropylene (Green Color)
- Recommended for systems with less than 1500 PSI without dynamic loads.
- Use for standard hydraulics, general pipe construction, electrical cables, and general duty piping applications subject to moderate levels of shock and vibration.
- Aluminum cushions and are used in higher heat applications up to 500 Degrees.

INSTALLATION - Refer to pages 115-117 for complete installation guide.



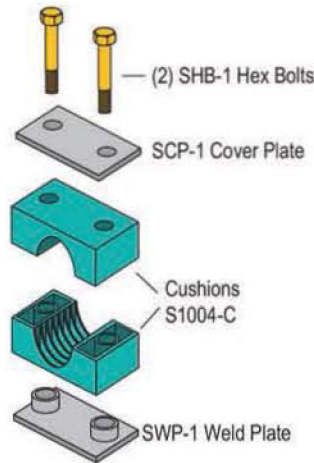
Group	Part No. *	Tube Size	Pipe Size	Metric Size	Dimensions - inch (mm)					Wt/100	Bolt
					A1	A2	A3	H1	H2		
S1	S-1004	1/4" (0.250)	-	-	-	-	-	-	-	-	-
	S-1006	3/8" (0.375)	-	-	-	-	-	-	-	-	-
	SM-1006	-	-	6mm	0.78	1.34	1.41	0.62	1.25	17	1/4"-20 x 1 1/4"
	S-1007	-	1/8" (0.405)	-	(20)	(34)	(36)	(16)	(32)		
	SM-1008	-	-	8mm							
S2	SM-1012	-	-	12mm							
	S-2008	1/2" (0.500)	-	-	-	-	-	-	-	-	-
	S-2009	-	1/4" (0.540)	-	-	-	-	-	-	-	-
	S-2010	5/8" (0.625)	-	-	1.02	1.57	1.65	0.76	1.54	20	1/4"-20 x 1 3/8"
	S-2011	-	3/8" (0.675)	-	(26)	(40)	(42)	(19.5)	(39)		
	SM-2014	-	-	14mm							
S3	SM-2015	-	-	15mm							
	SM-2018	-	-	18mm							
	S-3012	3/4" (0.750)	-	-	-	-	-	-	-	-	-
	S-3014	-	1/2" (0.840)	-	-	-	-	-	-	-	-
	S-3015	7/8" (0.875)	-	-	1.29	1.96	2.04	0.80	1.61	24	1/4"-20 x 1 1/2"
	S-3016	1" (1.000)	-	-	(33)	(50)	(52)	(20.5)	(41)		
S4	SM-3020	-	-	20mm							
	SM-3025	-	-	25mm							
	S-4017	-	3/4" (1.050)	-	1.57	2.28	2.36	0.94	1.88	30	1/4"-20 x 1 3/4"
S5	S-4018	1 1/8" (1.125)	-	-	(40)	(58)	(60)	(24)	(48)		
	SM-4030	-	-	30mm							
	S-5020	1 1/4" (1.250)	-	-	-	-	-	-	-	-	-
S6	S-5021	-	1" (1.315)	-	2.04	2.75	2.83	1.25	2.52	40	1/4"-20 x 2 1/2"
	S-5024	1 1/2" (1.500)	-	-	(52)	(70)	(72)	(32)	(64)		
	S-5027	-	1 1/4" (1.660)	-							
	SM-5035	-	-	35mm							
S7	S-6028	1 3/4" (1.750)	-	-	2.59	3.38	3.46	1.41	2.83	47	1/4"-20 x 2 3/4"
	S-6030	-	1 1/2" (1.900)	-	(66)	(86)	(88)	(36)	(72)		
	S-6032	2" (2.000)	-	-							
S8	S-7038	-	2" (2.375)	-	-	-	-	-	-	-	-
	S-7036	2 1/4" (2.250)	-	-	3.70	4.75	4.81	2.00	4.05	97	1/4"-20 x 4"
	S-7040	2 1/2" (2.500)	-	-	(94)	(121)	(122)	(51)	(103)		
	S-7044	2 3/4" (2.750)	-	-							
	S-7048	3" (3.000)	-	-							
SUFFIX	*For additional sizes contact factory.										
	Note: Add assembly type to part number. Example: S-1004S-SS provides the complete assembly as shown with stainless steel components.										
	NOTE: SM (metric) only available in Steel with Polypropylene (green) cushion.										
		Components	Cushion	Example							
none	Steel	Polypropylene (green)	S-1004S								
-AL	Steel	Aluminum	S-1004S-AL								
-SS	Stainless Steel	Polypropylene (green)	S-1004S-SS								



ZSI Beta Clamps - Standard

STANDARD SERIES COVER PLATE		STANDARD SERIES SAFETY PLATE		
	SCP-1	Use with Group S1		
	SCP-2	Use with Group S2		
	SCP-3	Use with Group S3		
	SCP-4	Use with Group S4		
	SCP-5	Use with Group S5		
	SCP-6	Use with Group S6		
	SCP-7	Use with Group S7		
HEX BOLT (Two required per assembly)		STANDARD SERIES CAP SCREW (Two required per assembly)		
	SHB-1	Use with Group S1		
	SHB-2	Use with Group S2		
	SHB-3	Use with Group S3		
	SHB-4	Use with Group S4		
	SHB-5	Use with Group S5		
	SHB-6	Use with Group S6		
	SHB-7	Use with Group S7		
STACKING BOLTS (Two required per assembly)		C-RAIL NUT (Two required per assembly)		
	SB-1	Use with Group S1		
	SB-2	Use with Group S2		
	SB-3	Use with Group S3		
	SB-4	Use with Group S4		
	SB-5	Use with Group S5		
	SB-6	Use with Group S6		
STANDARD SERIES WELD PLATE		C-RAIL		
	SWP-1	Use with Group S1		
	SWP-2	Use with Group S2		
	SWP-3	Use with Group S3	SCR-1	39" (1 meter)
	SWP-4	Use with Group S4	SCR-2	78" (2 meter)
	SWP-5	Use with Group S5		
	SWP-6	Use with Group S6		
	SWP-7	Use with Group S7		
STRUT NUT - For connection to Z-Strut Channel (Two required per assembly)		Z-Strut		
	ZSA1-8	Use with Groups S1-S8		
		Z1625		1-5/8" x 1-5/8"
		Z8125		1-5/8" x 13/16"
		Z1000	1-5/8" x 1"	
		Z875	1-5/8" x 7/8"	

ORDERING EXAMPLE		
S-1004-S		
Assembly Includes		
Quantity	Part No.	Description
1 Each	SWP-1	Weld Plate
1 Each	SCP-1	Cover Plate
2 Each	SHB-1	Hex Bolts
1 set	S1004-C	Cushions



Customized Clamping
 Insulating Clamping
 Loop & Hose Clamps
 Cush-A-Block
 Z-Strut Channels
 Beta Clamps
 Z-Clamps
 Gamma Pads
 BRECO Quick Disconnect

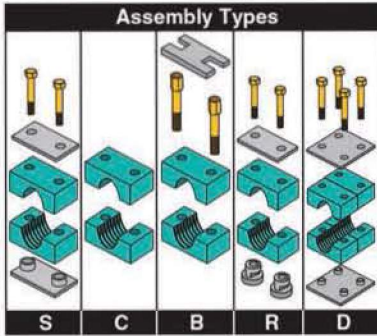


Beta Clamps - Heavy



BETA CLAMPS

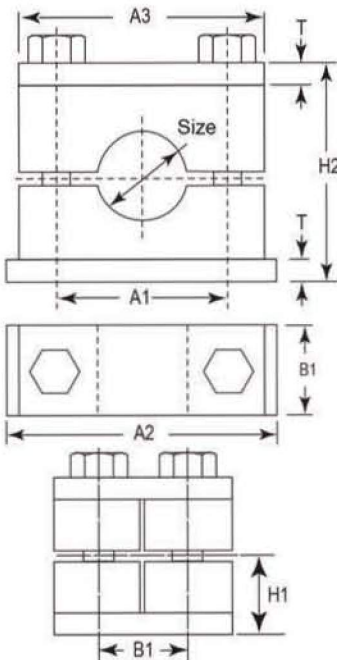
HEAVY SERIES



BETA HEAVY SERIES

- Recommended systems with greater than 1500 PSI operating pressure, operations with pressure surges, and applications with wide temperature fluctuations.
- Absorbs high levels of shock, noise, and vibration
- Cushions are polypropylene (Green color) or Aluminum.
- Aluminum cushions and are used in higher heat applications up to 500 Degrees.

INSTALLATION - Refer to pages 115-117 for complete installation guide.



Group	Part No.	Tube Size	Pipe Size	Dimensions-inch(mm)								Wt/ 100	Hex Bolt
				A1	A2	A3	B1	H1	H2	T			
H3	H-3004	1/4" (0.250)	-									65	3/8"-16 x 1-3/4"
	H-3006	3/8" (0.375)	-									65	
	H-3007	-	1/8" (0.405)	1.29 (33)	2.87 (73)	2.16 (55)	1.18 (30)	0.94 (24)	1.88 (48)	0.31 (8)		65	
	H-3008	1/2" (0.500)	-									65	
	H-3009	-	1/4" (0.540)									65	
	H-3010	5/8" (0.625)	-									65	
H-3011	-	3/8" (0.675)									65		
H4	H-4012	3/4" (0.750)	-									83	3/8"-16 x 2-1/4"
	H-4014	-	1/2" (0.840)	1.77 (45)	3.34 (85)	2.75 (70)	1.18 (30)	1.25 (32)	2.51 (64)	0.31 (8)		83	
	H-4015	7/8" (0.875)	-									83	
	H-4016	1" (1.000)	-									83	
	H-4017	-	3/4" (1.050)									83	
H5	H-5020	1 1/4" (1.250)	-									104	3/8"-16 x 2-3/4"
	H-5021	-	1" (1.315)	2.36 (60)	3.93 (100)	3.30 (84)	1.18 (30)	1.49 (38)	2.99 (76)	0.31 (8)		104	
	H-5024	1 1/2" (1.500)	-									103	
	H-5027	-	1 1/4" (1.660)									103	
H6	H-6028	1 3/4" (1.750)	-									266	1/2"-13 x 4"
	H-6030	-	1 1/2" (1.900)									276	
	H-6032	2" (2.000)	-	3.54 (90)	5.90 (150)	4.52 (115)	1.77 (45)	2.16 (55)	4.33 (110)	0.39 (10)		267	
	H-6034	2 1/4" (2.250)	-									266	
	H-6038	2 3/8" (2.375)	2" (2.375)									267	
	H-6040	2 1/2" (2.500)	-									264	
H7	H-7044	2 3/4" (2.750)	-									510	5/8"-11 x 5-1/4"
	H-7046	-	2 1/2" (2.870)	4.80 (122)	7.08 (180)	5.98 (152)	2.36 (60)	2.75 (70)	5.51 (140)	0.39 (10)		525	
	H-7050	3" (3.000)	-									506	
	H-7056	-	3" (3.500)									495	
	H-7057	3 1/2" (3.500)	-									510	
H8	H-8072	-	4" (4.500)	6.61 (168)	8.86 (225)	8.07 (205)	3.15 (80)	3.94 (100)	7.87 (200)	0.59 (15)		635	3/4"-10 x 7-1/2"
	H-9089	-	5" (5.563)	8.07 (221)	10.63 (270)	9.92 (252)	3.54 (90)	4.53 (115)	9.06 (230)	0.59 (15)		625	7/8"-9 x 8-1/4"
H9	H-9106	-	6" (6.625)									635	



Beta Clamps - Heavy

Cushioned Clamping

Insulating Clamping

Loop & Hose Clamps

Cush-A-Block

Z-Strut Channels

Beta Clamps

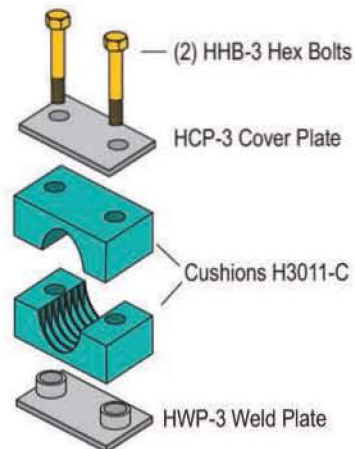
Z-Clamps

Gamma Pads

BRECO Quick Disconnect

HEAVY SERIES COVER PLATE		HEAVY SERIES SAFETY PLATE		C-RAIL NUTS (Two required per single assembly)				
	HCP-3	Use w/Group H3		HSP-3	Use w/Group H3		HRN-3-5	3/8" nut, Use w/ Groups H3-H5
	HCP-4	Use w/Group H4		HSP-4	Use w/Group H4		Note: Rail mounted stacking kit is only available on groups H3, H4, and H5	HRN-6
	HCP-5	Use w/Group H5		HSP-5	Use w/Group H5			
	HCP-6	Use w/Group H6		HSP-6	Use w/Group H6			
	HCP-7	Use w/Group H7		HSP-7	Use w/Group H7			
	HCP-8	Use w/Group H8		HSP-8	Use w/Group H8			
HCP-9	Use w/Group H9	HSP-9	Use w/Group H9					
HEAVY SERIES HEX BOLTS (Two required per single assembly)		HEAVY SERIES STACKING BOLTS (Two required per single assembly)		C-RAIL				
	HHB-3	Use w/Group H3		HSB-3	Use w/Group H3	HCR-1	39" (1 meter)	
	HHB-4	Use w/Group H4		HSB-4	Use w/Group H4	HCR-2	78" (2 meter)	
	HHB-5	Use w/Group H5		HSB-5	Use w/Group H5		<div style="display: flex; align-items: center;"> <div style="margin-right: 10px;">40 mm</div> </div>	
	HHB-6	Use w/Group H6		HSB-6	Use w/Group H6			
	HHB-7	Use w/Group H7		HSB-7	Use w/Group H7			
	HHB-8	Use w/Group H8		HSB-8	Use w/Group H8			
HHB-9	Use w/Group H9	HSB-9	Use w/Group H9					
HEAVY SERIES WELD PLATE		HEAVY SERIES DOUBLE WELD PLATE		HEAVY SERIES DOUBLE COVER PLATE				
	HWP-3	Use w/Group H3		HDP-3	Use w/Group H3	DCP-3	Use w/Group H3	
	HWP-4	Use w/Group H4		HDP-4	Use w/Group H4	DCP-4	Use w/Group H4	
	HWP-5	Use w/Group H5		HDP-5	Use w/Group H5	DCP-5	Use w/Group H5	
	HWP-6	Use w/Group H6		HDP-6	Use w/Group H6	DCP-6	Use w/Group H6	
	HWP-7	Use w/Group H7		HDP-7	Use w/Group H7	DCP-7	Use w/Group H7	
	HWP-8	Use w/Group H8						
HWP-9	Use w/Group H9							

ORDERING EXAMPLE		
H3004-S		
Assembly Includes		
Quantity	Part No.	Description
1 Each	HWP-3	Weld Plate
1 Each	HCP-3	Cover Plate
2 Each	HHB-3	Hex Bolts
1 set	H3011-C	Cushions



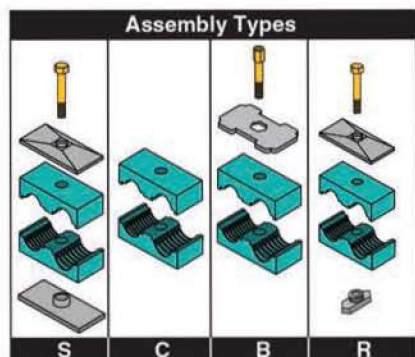


Beta Clamps - Twin



BETA CLAMPS

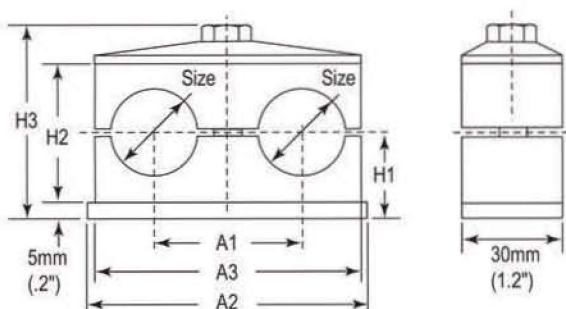
TWIN SERIES



BETA CLAMPS TWIN SERIES are ideal for general-duty applications subject to moderate levels of shock and vibration. Cushions in this series are Polypropylene (Green Color).

Call factory for additional sizes and cushion materials

INSTALLATION - Refer to pages 115-117 for complete installation guide.



Group	Steel Part No.	Stainless Steel Part No.	Tube Size	Pipe Size	Dimensions - inch (mm)						WT/100	Hex Bolt
					A1	A2	A3	H1	H2	H3		
T1	T-1004	T-1004-SS	1/4 (0.250)	-	0.78 (20)	1.45 (37)	1.41 (36)	0.72 (18.5)	1.06 (27)	1.69 (43)	21	1/4"-20 x 1-3/8"
	T-1006	T-1006-SS	3/8 (0.375)	-							21	
	T-1007	T-1007-SS	-	1/8 (0.405)	-						21	
T2	T-2008	T-2008-SS	1/2" (0.500)	-	1.14 (29)	2.16 (55)	2.08 (53)	0.70 (18)	1.02 (26)	1.71 (43.5)	31	5/16"-18 x 1-3/8"
	T-2009	T-2009-SS	-	1/4 (0.540)							31	
	T-2010	T-2010-SS	3/8 (0.625)	-							31	
	T-2011	T-2011-SS	-	3/8 (0.675)	-						31	
T3	T-3012	T-3012-SS	3/4 (0.750)	-	1.41 (36)	2.75 (70)	2.63 (67)	0.92 (23.5)	1.45 (37)	2.14 (54.5)	40	5/16"-18 x 1-3/4"
	T-3014	T-3014-SS	-	1/2 (0.840)							39	
	T-3015	T-3015-SS	7/8 (0.875)	-							39	
	T-3016	T-3016-SS	1 (1.000)	-							38	
T4	T-4017	T-4017-SS	-	3/4 (1.050)	1.77 (45)	3.34 (85)	3.22 (82)	1.02 (26)	1.65 (42)	2.34 (59.5)	49	5/16"-18 x 2"
	T-4018	T-4018-SS	1-1/8 (1.125)	-							49	
T5	T-5020	T-5020-SS	1-1/4 (1.250)	-	2.20 (56)	4.33 (110)	4.17 (106)	1.25 (32)	2.12 (54)	2.81 (71.5)	65	5/16"-18 x 2-3/8"
	T-5021	T-5021-SS	-	1 (1.315)							65	
	T-5024	T-5024-SS	1-1/2 (1.500)	-							64	
	T-5027	T-5027-SS	-	1-1/4 (1.660)							62	

*For additional sizes and stainless steel contact factory.

Note: Add Assembly type to Part No.- Example: **T-1004S** provides the complete assembly as shown

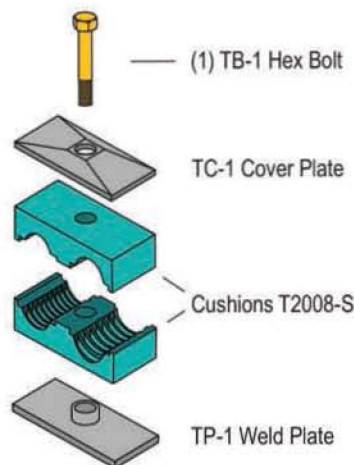


Beta Clamps - Twin

TWIN SERIES COVER PLATE			TWIN SERIES SAFETY PLATE		
	TC-1	Use with Group T1		TSP-1	Use with Group T1
	TC-2	Use with Group T2		TSP-2	Use with Group T2
	TC-3	Use with Group T3		TSP-3	Use with Group T3
	TC-4	Use with Group T4		TSP-4	Use with Group T4
	TC-5	Use with Group T5		TSP-5	Use with Group T5
TWIN HEX BOLT			C-RAIL NUT		
	TB-1	Use with Group T1		SRN-1-6	1/4" Nut, Use with Group T1
	TB-2	Use with Group T2		TRN-2-5	5/16" Nut, Use with Group T2 to T5
	TB-3	Use with Group T3			
	TB-4	Use with Group T4			
	TB-5	Use with Group T5			
TWIN STACKING BOLT			C-RAIL		
	TSB-1	Use with Group T1		SCR-1	39" (1 meter)
	TSB-2	Use with Group T2		SCR-2	78" (2 meter)
	TSB-3	Use with Group T3		 <p>28 mm, 11 mm, 2 mm, 11 mm</p>	
	TSB-4	Use with Group T4			
	TSB-5	Use with Group T5			
TWIN SERIES WELD PLATE					
	TP-1	Use with Group T1			
	TP-2	Use with Group T2			
	TP-3	Use with Group T3			
	TP-4	Use with Group T4			
	TP-5	Use with Group T5			

Cushioned Clamping
 Insulating Clamping
 Loop & Hose Clamps
 Cush-A-Block
 Z-Strut Channels
Beta Clamps
 Z-Clamps
 Gamma Pads
 BRECO Quick Disconnect

ORDERING EXAMPLE		
T2008-S		
Assembly Includes		
Quantity	Part No.	Description
1 Each	TP-1	Weld Plate
1 Each	TC-1	Cover Plate
1 Each	TB-1	Hex Bolts
1 set	T2008-S	Cushions

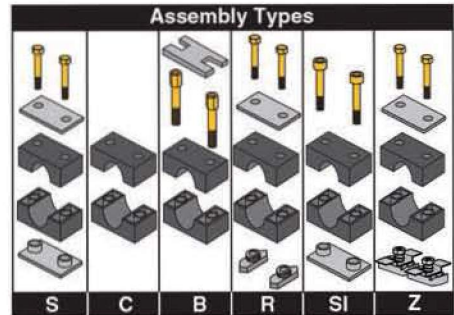
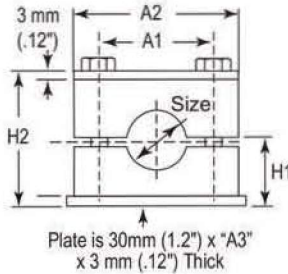




Beta Clamps - "Smoothie"



BETA "SMOOTHIE" STANDARD SERIES



Beta "Smoothie" is ideal for general-duty applications where there is a need to reduce wear on hose connection caused by vibration and surge.

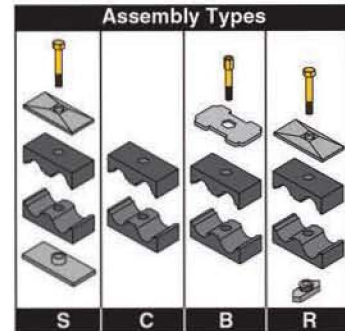
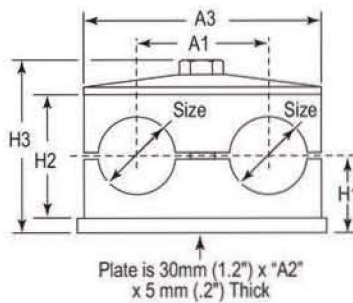
- Chamfered and smooth core protects hose cover and extends the life of the hose
- Uses Standard Beta hardware
- Reduces wear on hose connection caused by vibration and surge

Group	Part No.	SAE 100R1 Hose Size	Dimensions (Inches)					WT/100	Bolt
			A1	A2	A3	H1	H2		
S2	S-2004H	1/4" (0.53)	1.02	1.57	1.65	0.76	1.535	20	1/4 - 20
	S-2006H	3/8" (0.69)	1.02	1.57	1.65	0.76	1.535	20	x 1 3/8
S3	S-3008H	1/2" (0.81)	1.29	1.96	2.04	0.80	1.61	25	1/4 - 20
	S-3010H	5/8" (0.93)	1.29	1.96	2.04	0.80	1.61	25	x 1 1/2
S4	S-4012H	3/4" (1.10)	1.57	2.28	2.36	0.94	1.88	29	1/4 - 20
S5	S-5016H	1" (1.42)	2.05	2.75	2.83	1.25	2.52	39	1/4 - 20
									x 2 1/2

*For additional sizes and stainless steel contact factory.
Note: Add Assembly type to Part No. - Example: **S-2004HS** provides the complete assembly as shown

INSTALLATION - Refer to pages 115-117 for complete installation guide.

BETA "SMOOTHIE" TWIN SERIES



Beta "Smoothie" is ideal for general-duty applications where there is a need to reduce wear on hose connection caused by vibration and surge.

- Chamfered and smooth core protects hose cover and extends the life of the hose
- Uses Standard Beta Twin hardware
- Reduces wear on hose connection caused by vibration and surge

Group	Part No.	SAE 100R1 Hose Size	Dimensions (Inches)						WT/100	Bolt
			A1	A2	A3	H1	H2	H3		
T2	T-2004H	1/4" (0.53)	1.14	2.16	2.08	0.70	1.02	1.71	31	5/16 - 18
	T-2006H	3/8" (0.69)	1.14	2.16	2.08	0.70	1.02	1.71	31	x 1 3/8
T3	T-3008H	1/2" (0.81)	1.41	2.75	2.63	0.92	1.45	2.14	39	5/16 - 18
T4	T-4010H	5/8" (0.93)	1.77	3.34	3.22	1.02	1.65	2.34	49	5/16 - 18
	T-4012H	3/4" (1.10)	1.77	3.34	3.22	1.02	1.65	2.34	49	x 2
T5	T-5016H	1" (1.42)	2.2	4.33	4.17	1.25	2.12	2.81	65	5/16 - 18
										x 2 3/8

*For additional sizes and stainless steel contact factory.
Note: Add Assembly type to Part No. - Example: **T-2004HS** provides the complete assembly as shown

INSTALLATION - Refer to pages 115-117 for complete installation guide.