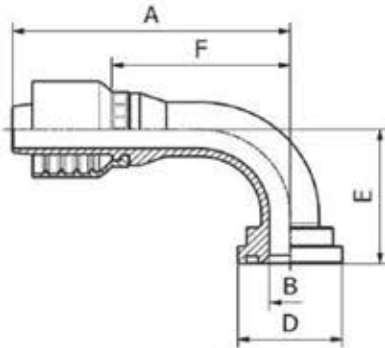




OPF TYPE



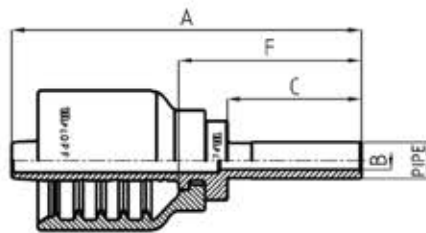
SAE STANDARD CONNECTIONS

OPF23391

**90° ISO / SAE
CODE 61 FLANGE
SAE J516 / ISO 12151-3**

PART. REF.	HOSE BORE			Flange	DIMENSIONS mm						
	DN	Dash	inch	inch	B	A	D	E	F		
OPF23391-08A08	12	- 8	1/2"	1/2"	9.3	85.5	30.3	40.0	54.5		
OPF23391-08A12	12	- 8	1/2"	3/4"	15.0	85.5	38.0	41.0	54.5		
OPF23391-10A12	16	- 10	5/8"	3/4"	15.0	90.0	38.0	47.5	56.0		
OPF23391-12A12	19	- 12	3/4"	3/4"	15.0	101.0	38.0	52.0	64.5		
OPF23391-12A16	19	- 12	3/4"	1"	20.0	101.0	44.6	52.0	64.5		
OPF23391-16A16	25	- 16	1"	1"	19.8	125.5	44.6	62.0	77.5		
OPF23391-16A20	25	- 16	1"	1.1/4"	26.0	125.5	51.0	62.0	77.5		

DIN STANDARD CONNECTIONS



OPF22010

**METRIC
STANDPIPE STRAIGHT L.T.**

PART. REF.	HOSE BORE			Pipe	DIMENSIONS mm						
	DN	Dash	inch	mm	B	A	C	F			
OPF22010-04A06	6	- 4	1/4"	6.0	3.0	57.5	22.0	30.0			
OPF22010-06A10	10	- 6	3/8"	10.0	7.0	61.0	23.0	31.5			