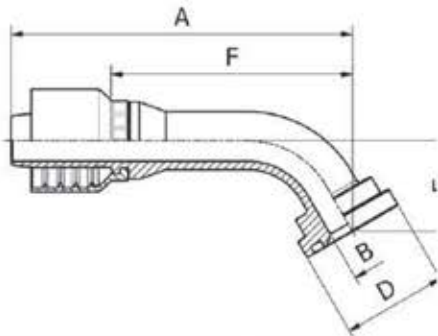




OPF TYPE

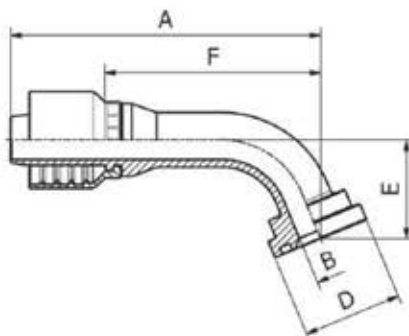


SAE STANDARD CONNECTIONS

OPF23361

**60° ISO / SAE
CODE 61 FLANGE
SAE J516 / ISO 12151-3**

| PART. REF. | HOSE BORE | | | Flange | DIMENSIONS mm | | | | | | |
|----------------|-----------|------|------|--------|---------------|-------|------|------|-------|---|--|
| | DN | Dash | inch | | inch | B | A | D | E | F | |
| OPF23361-08A08 | 12 | - 8 | 1/2" | 1/2" | 9.3 | 102.5 | 30.3 | 26.0 | 71.5 | | |
| OPF23361-12A12 | 19 | - 12 | 3/4" | 3/4" | 15.0 | 123.5 | 38.0 | 33.0 | 87.0 | | |
| OPF23361-16A16 | 25 | - 16 | 1" | 1" | 19.8 | 152.0 | 44.6 | 39.0 | 104.0 | | |
| OPF23361-16A20 | 25 | - 16 | 1" | 1.1/4" | 26.0 | 152.0 | 51.0 | 39.0 | 104.0 | | |



SAE STANDARD CONNECTIONS

OPF23371

**67,5° ISO / SAE
CODE 61 FLANGE
SAE J516 / ISO 12151-3**

| PART. REF. | HOSE BORE | | | Flange | DIMENSIONS mm | | | | | | |
|----------------|-----------|------|------|--------|---------------|-------|------|------|------|---|--|
| | DN | Dash | inch | | inch | B | A | D | E | F | |
| OPF23371-08A08 | 12 | - 8 | 1/2" | 1/2" | 9.3 | 99.0 | 30.3 | 29.5 | 68.0 | | |
| OPF23371-12A12 | 19 | - 12 | 3/4" | 3/4" | 15.0 | 118.5 | 38.0 | 38.0 | 82.0 | | |
| OPF23371-12A16 | 19 | - 12 | 3/4" | 1" | 20.0 | 118.5 | 44.6 | 38.0 | 82.0 | | |
| OPF23371-16A16 | 25 | - 16 | 1" | 1" | 19.8 | 147.0 | 44.6 | 45.0 | 98.5 | | |