



HYDRA-FLEX
HOSE AND FITTINGS
SOLUTIONS CENTER

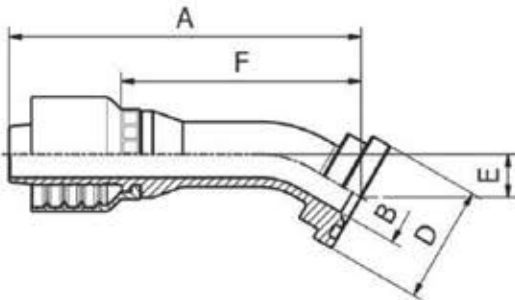
OPF TYPE



SAE STANDARD CONNECTIONS

OPF23331

**30° ISO / SAE
CODE 61 FLANGE
SAE J516 / ISO 12151-3**

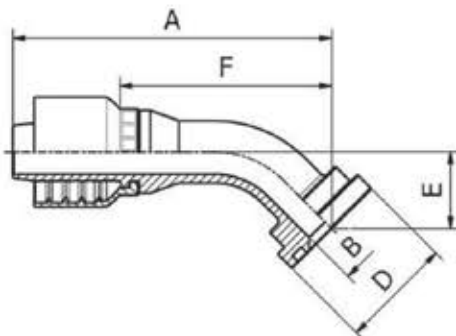


PART. REF.	HOSE BORE			Flange	DIMENSIONS mm						
	DN	Dash	inch	inch	B	A	D	E	F		
OPF23331-08A08	12	- 8	1/2"	1/2"	9.3	93.5	30.3	11.0	62.5		
OPF23331-12A12	19	- 12	3/4"	3/4"	15.0	109.5	38.0	14.0	73.0		
OPF23331-12A16	19	- 12	3/4"	1"	20.0	109.5	44.6	14.0	73.0		
OPF23331-16A16	25	- 16	1"	1"	19.8	135.0	44.6	16.5	87.0		

SAE STANDARD CONNECTIONS

OPF23341

**45° ISO / SAE
CODE 61 FLANGE
SAE J516 / ISO 12151-3**



PART. REF.	HOSE BORE			Flange	DIMENSIONS mm						
	DN	Dash	inch	inch	B	A	D	E	F		
OPF23341-08A08	12	- 8	1/2"	1/2"	9.3	90.0	30.3	18.5	58.5		
OPF23341-08A12	12	- 8	1/2"	3/4"	15.0	90.5	38.0	19.0	59.5		
OPF23341-10A12	16	- 10	5/8"	3/4"	15.0	95.0	38.0	22.0	61.0		
OPF23341-12A12	19	- 12	3/4"	3/4"	15.0	104.5	38.0	23.0	68.5		
OPF23341-12A16	19	- 12	3/4"	1"	20.0	104.5	44.6	23.0	68.5		
OPF23341-16A16	25	- 16	1"	1"	19.8	129.5	44.6	27.5	81.5		
OPF23341-16A20	25	- 16	1"	1.1/4"	26.0	129.5	51.0	27.5	81.5		