



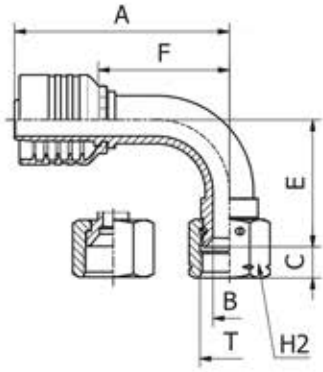
OPF TYPE



SAE STANDARD CONNECTIONS

OPF22592/OPF22593

**90° JIC
FEMALE ELBOW 37° CONE SEAT
SAE J516 / ISO 12151-5**



PART. REF.	HOSE BORE			Thread	DIMENSIONS mm						
	DN	Dash	inch		T	B	A	C	E	F	H2
OPF22593-03A04	5	- 3	3/16"	7/16" - 20	3.0	47.5	8.5	23.5	26.0	15.0	
OPF22592-04A04	6	- 4	1/4"	7/16" - 20	4.0	56.0	8.7	27.0	28.5	17.0	
OPF22592-04A05	6	- 4	1/4"	1/2" - 20	4.0	56.0	9.1	27.5	28.5	17.0	
OPF22593-04A06	6	- 4	1/4"	9/16" - 18	4.0	57.0	9.8	28.0	29.5	19.0	
OPF22593-04A08	6	- 4	1/4"	3/4" - 16	7.0	57.0	10.0	30.5	29.5	22.0	
OPF22592-05A05	8	- 5	5/16"	1/2" - 20	5.5	59.0	9.1	28.0	31.0	17.0	
OPF22592-05A06	8	- 5	5/16"	9/16" - 18	7.0	59.0	9.2	28.5	31.0	19.0	
OPF22592-06A05	10	- 6	3/8"	1/2" - 20	5.5	59.5	9.1	26.5	30.0	17.0	
OPF22592-06A06	10	- 6	3/8"	9/16" - 18	7.0	65.0	9.2	32.5	35.5	19.0	
OPF22593-06A08	10	- 6	3/8"	3/4" - 16	7.0	66.0	10.1	29.5	36.5	22.0	
OPF22593-06A10	10	- 6	3/8"	7/8" - 14	9.3	66.0	12.4	31.5	36.5	27.0	
OPF22592-08A06	12	- 8	1/2"	9/16" - 18	7.0	68.0	9.2	33.0	37.0	19.0	
OPF22592-08A08	12	- 8	1/2"	3/4" - 16	9.3	75.5	10.2	41.0	44.0	22.0	
OPF22593-08A10	12	- 8	1/2"	7/8" - 14	9.3	76.0	12.4	36.0	45.0	27.0	
OPF22593-08A12	12	- 8	1/2"	1.1/16" - 12	12.5	76.0	14.1	36.0	45.0	32.0	
OPF22592-10A10	16	- 10	5/8"	7/8" - 14	12.5	88.0	12.3	52.5	53.5	27.0	
OPF22593-10A12	16	- 10	5/8"	1.1/16" - 12	12.5	86.0	14.1	50.0	51.5	32.0	
OPF22592-12A10	19	- 12	3/4"	7/8" - 14	12.5	91.5	12.3	52.5	55.0	27.0	
OPF22592-12A12	19	- 12	3/4"	1.1/16" - 12	15.0	98.0	14.2	58.0	62.0	32.0	
OPF22592-12A14	19	- 12	3/4"	1.3/16" - 12	15.0	99.0	14.3	58.0	63.0	36.0	
OPF22592-12A16	19	- 12	3/4"	1.5/16" - 12	19.8	99.0	15.0	57.5	63.0	38.0	
OPF22592-16A16	25	- 16	1"	1.5/16" - 12	19.8	124.0	15.0	68.5	76.0	38.0	
OPF22592-16A20	25	- 16	1"	1.5/8" - 12	26.0	125.5	16.2	74.5	77.5	50.0	

OPF22592: THRUST WIRE NUT / OPF22593: SLIP-ON NUT