



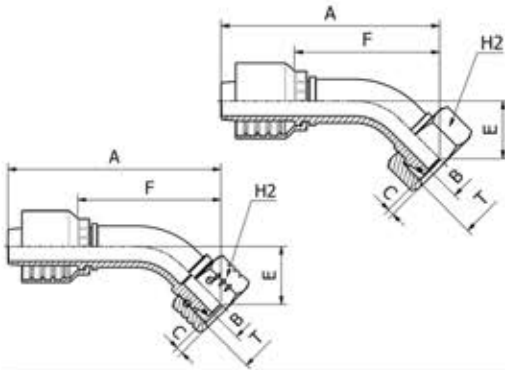
OPF TYPE



DIN STANDARD CONNECTIONS

OPF21542/OPF21543

**45° METRIC
O-RING FEMALE SWEPT ELBOW 24° CONE
LIGHT DUTY
DIN 20066 / ISO 12151-2**



PART. REF.	HOSE BORE			Thread	Pipe	DIMENSIONS mm					
	DN	Dash	inch			T	mm	B	A	C	E
OPF21543-04A14	6	- 4	1/4"	M 14X1,5	8,0	4,0	65,5	1,3	16,5	38,0	17,0
OPF21543-04A16	6	- 4	1/4"	M 16X1,5	10,0	6,0	65,5	1,8	17,0	38,0	19,0
OPF21543-05A16	8	- 5	5/16"	M 16X1,5	10,0	6,0	69,5	1,8	17,5	41,5	19,0
OPF21543-05A18	8	- 5	5/16"	M 18X1,5	12,0	7,0	69,5	2,0	17,0	41,5	22,0
OPF21542-06A16	10	- 6	3/8"	M 16X1,5	10,0	6,0	77,0	3,0	21,5	47,5	19,0
OPF21543-06A18	10	- 6	3/8"	M 18X1,5	12,0	7,0	73,0	2,0	16,5	43,5	22,0
OPF21543-06A22	10	- 6	3/8"	M 22X1,5	15,0	9,3	74,0	1,5	18,0	45,0	27,0
OPF21543-08A22	12	- 8	1/2"	M 22X1,5	15,0	9,3	83,0	1,5	19,0	52,0	27,0
OPF21543-10A26	16	- 10	5/8"	M 26X1,5	18,0	12,5	96,5	2,0	26,5	62,0	32,0
OPF21543-12A30	19	- 12	3/4"	M 30X2	22,0	15,0	107,5	3,0	28,5	71,0	36,0
OPF21543-16A36	25	- 16	1"	M 36X2	28,0	19,8	133,0	3,7	32,0	85,0	41,0

OPF21542: THRUST WIRE NUT / OPF21543: SLIP-ON NUT