



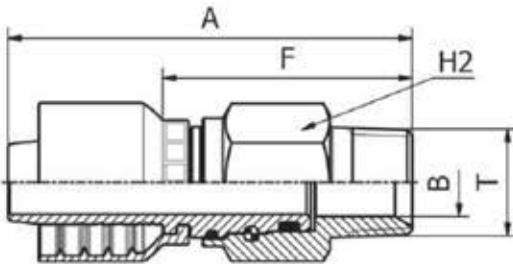
OPF TYPE



SAE STANDARD CONNECTIONS

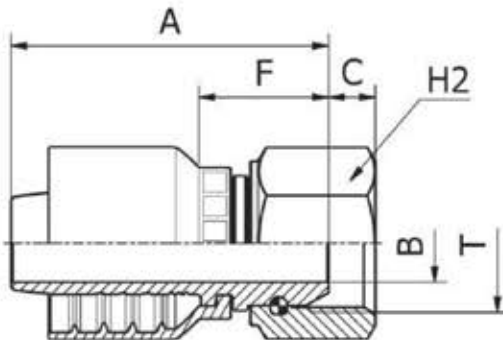
OPF14110R

**NPTF
SWIVEL MALE**



PART. REF.	HOSE BORE			Thread	DIMENSIONS mm				
	DN	Dash	inch	T	B	A	C	F	H1
OPF14110-04A02R	6	- 4	1/4"	1/8" - 28	3.0	69.5	10.0	42.0	17.0
OPF14110-04A04R	6	- 4	1/4"	1/4" - 18	4.0	74.0	14.5	46.5	17.0
OPF14110-04A06R	6	- 4	1/4"	3/8" - 18	7.0	74.0	14.5	46.5	19.0
OPF14110-06A04R	10	- 6	3/8"	1/4" - 18	4.0	80.0	14.5	50.5	22.0
OPF14110-06A06R	10	- 6	3/8"	3/8" - 18	7.0	80.0	14.5	50.5	22.0
OPF14110-06A08R	10	- 6	3/8"	1/2" - 14	9.3	84.5	19.2	55.0	24.0
OPF14110-08A08R	12	- 8	1/2"	1/2" - 14	9.3	90.0	19.2	59.0	27.0
OPF14110-12A12R	19	- 12	3/4"	3/4" - 14	16.0	94.5	19.2	58.0	32.0
OPF14110-16A16R	25	- 16	1"	1" - 11	19.8	114.0	24.2	66.0	38.0

Not to be used as a live swivel



SAE STANDARD CONNECTIONS

OPF22812

**NPSM
FEMALE 60° CONE
SAE J516 / J514
(THRUST-WIRE NUT)**

PART. REF.	HOSE BORE			Thread	DIMENSIONS mm				
	DN	Dash	inch	T	B	A	C	F	H2
OPF22812-04A04	6	- 4	1/4"	1/4" - 18	4.0	45.0	4.2	17.5	19.0
OPF22812-06A06	10	- 6	3/8"	3/8" - 18	7.0	50.5	6.0	21.0	22.0
OPF22812-08A08	12	- 8	1/2"	1/2" - 14	9.3	54.0	6.5	23.0	27.0
OPF22812-12A12	19	- 12	3/4"	3/4" - 14	15.0	61.0	9.0	24.5	32.0
OPF22812-16A16	25	- 16	1"	1" - 11.5	19.8	75.5	10.5	27.5	38.0