



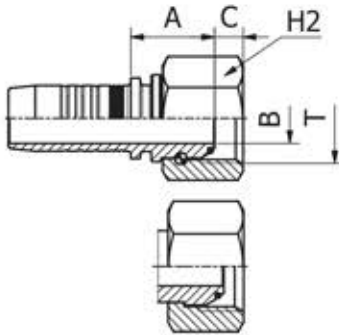
**MULTIFIT TYPE**



BS STANDARD CONNECTIONS

**M20812/M20813**

**BSP O-RING FEMALE 60° CONE  
BS5200 / ISO 12151-6**



PART. REF.	HOSE BORE			Thread		DIMENSIONS mm					
	DN	Dash	inch	T	B	A	C	H2			
M20812-06-04	10	- 6	3/8"	1/4" - 19	4.1	18.0	4.1	19.0			
M20812-10-10	16	- 10	5/8"	5/8" - 14	12.5	22.0	9.7	28.0			
M20812-12-12	19	- 12	3/4"	3/4" - 14	15.0	25.0	8.5	32.0			
M20812-16-12	25	- 16	1"	3/4" - 14	15.0	26.0	8.5	32.0			
M20812-16-16	25	- 16	1"	1" - 11	19.8	27.5	10.6	38.0			
M20812-16-20	25	- 16	1"	1.1/4" - 11	26.1	31.0	10.5	50.0			
M20812-20-16	31	- 20	1.1/4"	1" - 11	19.8	29.0	10.5	38.0			
M20812-20-20	31	- 20	1.1/4"	1.1/4" - 11	26.0	31.5	10.5	50.0			
M20812-20-24	31	- 20	1.1/4"	1.1/2" - 11	32.1	29.5	12.5	60.0			
M20812-24-20	38	- 24	1.1/2"	1.1/4" - 11	26.0	31.5	10.5	50.0			
M20812-24-24	38	- 24	1.1/2"	1.1/2" - 11	32.0	30.5	12.5	60.0			
M20812-24-32	38	- 24	1.1/2"	2" - 11	42.1	30.0	16.1	70.0			
M20812-32-32	51	- 32	2"	2" - 11	42.0	32.0	16.1	70.0			
M20813-03-04	5	- 3	3/16"	1/4" - 19	4.0	16.5	5.4	19.0			
M20813-04-04	6	- 4	1/4"	1/4" - 19	4.0	17.0	5.4	19.0			
M20813-04-06	6	- 4	1/4"	3/8" - 19	7.0	19.0	6.0	22.0			
M20813-06-06	10	- 6	3/8"	3/8" - 19	7.0	19.5	6.0	22.0			
M20813-06-08	10	- 6	3/8"	1/2" - 14	9.3	21.0	6.3	27.0			
M20813-08-08	12	- 8	1/2"	1/2" - 14	9.3	20.5	6.3	27.0			