



**HYDRA-FLEX**  
HOSE AND FITTINGS  
SOLUTIONS CENTER

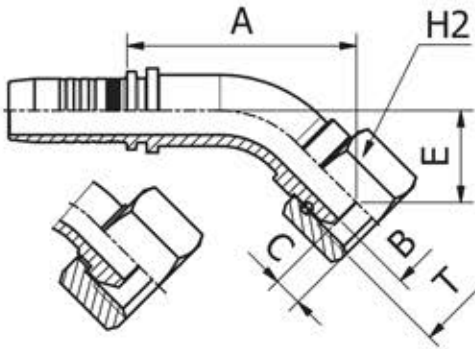
**MULTIFIT TYPE**



BS STANDARD CONNECTIONS

**M20542/M20543**

**45° BSP FEMALE SWEPT ELBOW 60° CONE  
BS5200 / ISO 12151-6**



PART. REF.	HOSE BORE			Thread	DIMENSIONS mm				
	DN	Dash	inch	T	B	A	C	E	H2
M20542-03-02	5	- 3	3/16"	1/8" - 28	3.0	31.0	4.4	15.0	14.0
M20542-04-02	6	- 4	1/4"	1/8" - 28	3.1	35.5	4.4	14.5	14.0
M20542-05-04	8	- 5	5/16"	1/4" - 19	4.0	35.5	4.1	16.0	19.0
M20542-08-06	12	- 8	1/2"	3/8" - 19	7.1	52.0	6.0	20.0	22.0
M20542-08-10	12	- 8	1/2"	5/8" - 14	12.1	54.5	10.2	22.5	28.0
M20542-08-12	12	- 8	1/2"	3/4" - 14	15.0	57.0	9.0	25.0	32.0
M20542-10-08	16	- 10	5/8"	1/2" - 14	9.3	63.5	6.5	26.5	27.0
M20542-10-10	16	- 10	5/8"	5/8" - 14	12.5	63.0	10.2	26.0	28.0
M20542-10-12	16	- 10	5/8"	3/4" - 14	15.0	64.0	9.0	27.0	32.0
M20542-12-08	19	- 12	3/4"	1/2" - 14	9.3	55.5	6.5	22.5	27.0
M20542-12-12	19	- 12	3/4"	3/4" - 14	15.0	70.5	9.0	28.5	32.0
M20542-12-16	19	- 12	3/4"	1" - 11	19.8	72.5	10.5	30.0	38.0
M20542-16-16	25	- 16	1"	1" - 11	19.8	91.0	10.5	36.5	38.0
M20543-03-04	5	- 3	3/16"	1/4" - 19	4.0	35.5	5.4	14.5	19.0
M20543-04-04	6	- 4	1/4"	1/4" - 19	4.0	36.0	5.4	15.0	19.0
M20543-04-06	6	- 4	1/4"	3/8" - 19	7.0	37.5	6.0	16.0	22.0
M20543-05-06	8	- 5	5/16"	3/8" - 19	7.0	38.0	6.0	13.5	22.0
M20543-06-06	10	- 6	3/8"	3/8" - 19	7.0	42.0	6.0	15.5	22.0
M20543-06-08	10	- 6	3/8"	1/2" - 14	9.3	42.5	6.3	16.0	27.0
M20543-08-08	12	- 8	1/2"	1/2" - 14	9.3	49.5	6.3	17.0	27.0

