



**HYDRA-FLEX**  
HOSE AND FITTINGS  
SOLUTIONS CENTER

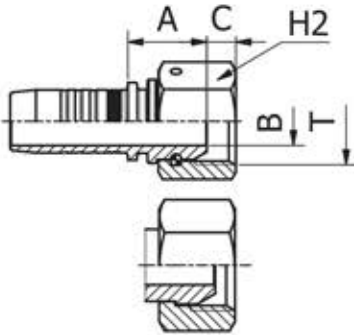
## MULTIFIT TYPE



BS STANDARD CONNECTIONS

# M20512/M20513

**BSP FEMALE 60° CONE**  
**BS5200 / ISO 12151-6**



PART. REF.	HOSE BORE			Thread	DIMENSIONS mm						
	DN	Dash	inch	T	B	A	C	H2			
M20512-03-02	5	-3	3/16"	1/8" - 28	3.0	16.0	4.4	14.0			
M20512-04-02	6	-4	1/4"	1/8" - 28	3.1	16.5	4.4	14.0			
M20512-05-04	8	-5	5/16"	1/4" - 19	4.1	17.5	4.2	19.0			
M20512-06-04	10	-6	3/8"	1/4" - 19	4.1	18.0	4.2	19.0			
M20512-08-06	12	-8	1/2"	3/8" - 19	7.1	21.0	6.0	22.0			
M20512-08-10	12	-8	1/2"	5/8" - 14	12.1	22.0	10.2	28.0			
M20512-08-12	12	-8	1/2"	3/4" - 14	15.0	24.5	9.0	32.0			
M20512-10-08	16	-10	5/8"	1/2" - 14	9.8	24.0	6.5	27.0			
M20512-10-10	16	-10	5/8"	5/8" - 14	12.5	21.5	10.2	28.0			
M20512-10-12	16	-10	5/8"	3/4" - 14	15.0	23.0	9.0	32.0			
M20512-12-08	19	-12	3/4"	1/2" - 14	9.8	25.0	6.5	27.0			
M20512-12-12	19	-12	3/4"	3/4" - 14	15.0	24.5	9.0	32.0			
M20512-12-16	19	-12	3/4"	1" - 11	19.8	26.0	10.5	38.0			
M20512-16-12	25	-16	1"	3/4" - 14	15.0	25.5	9.0	32.0			
M20512-16-16	25	-16	1"	1" - 11	19.8	27.5	10.5	38.0			
M20513-03-04	5	-3	3/16"	1/4" - 19	4.0	16.5	5.4	19.0			
M20513-04-04	6	-4	1/4"	1/4" - 19	4.0	17.0	5.4	19.0			
M20513-04-06	6	-4	1/4"	3/8" - 19	7.0	19.0	6.0	22.0			
M20513-04-08	6	-4	1/4"	1/2" - 14	9.5	19.5	6.3	27.0			
M20513-05-06	8	-5	5/16"	3/8" - 19	7.0	19.0	6.0	22.0			
M20513-05-08	8	-5	5/16"	1/2" - 14	9.3	20.5	6.3	27.0			
M20513-06-06	10	-6	3/8"	3/8" - 19	7.0	19.5	6.0	22.0			
M20513-06-08	10	-6	3/8"	1/2" - 14	9.3	20.0	6.3	27.0			
M20513-08-08	12	-8	1/2"	1/2" - 14	9.3	20.5	6.3	27.0			

