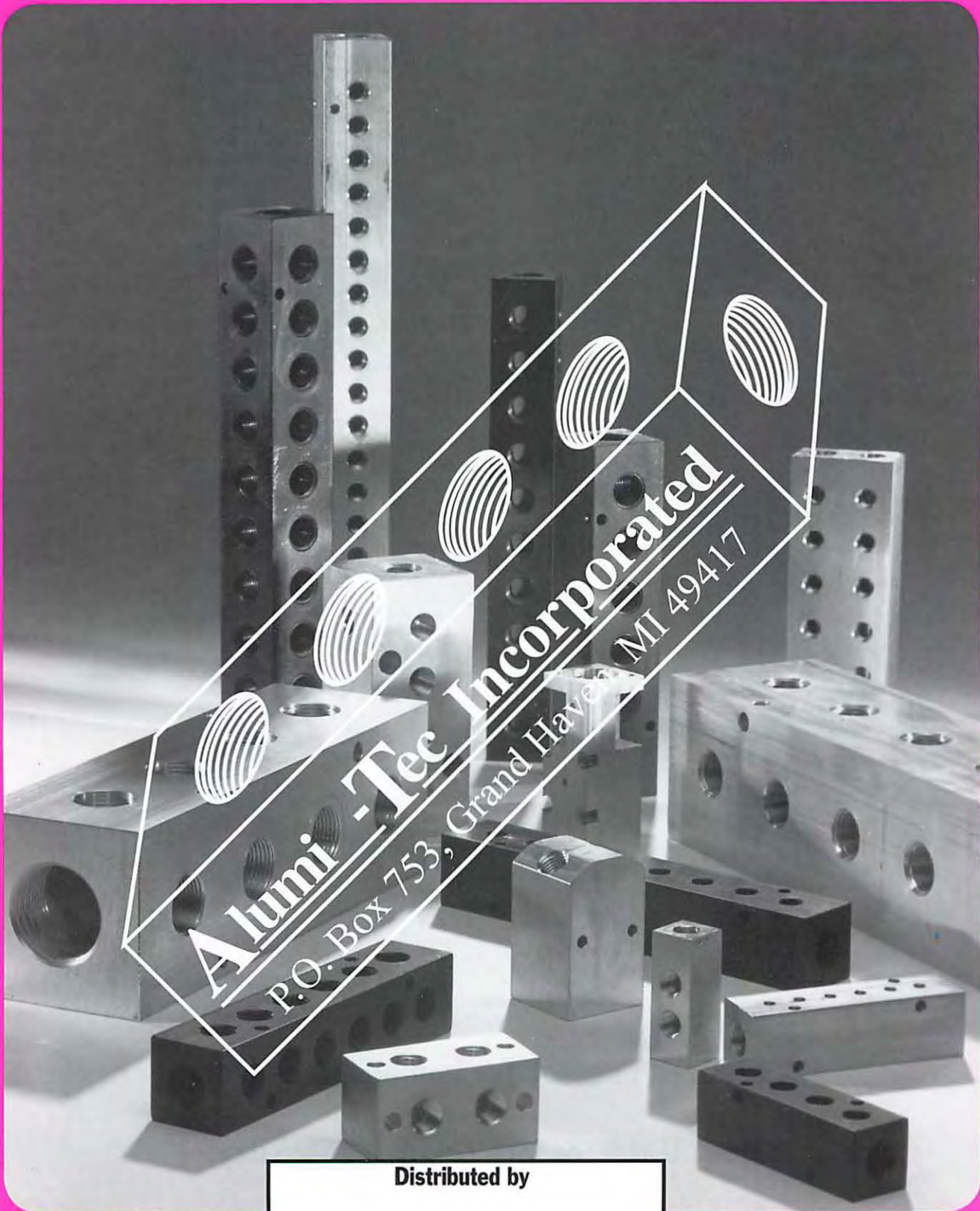




Alumi-Tec Incorporated

P.O. Box 753, Grand Haven, MI 49417

Manifolds



Distributed by

1-800-327-7558

Fax 1-800-338-4811

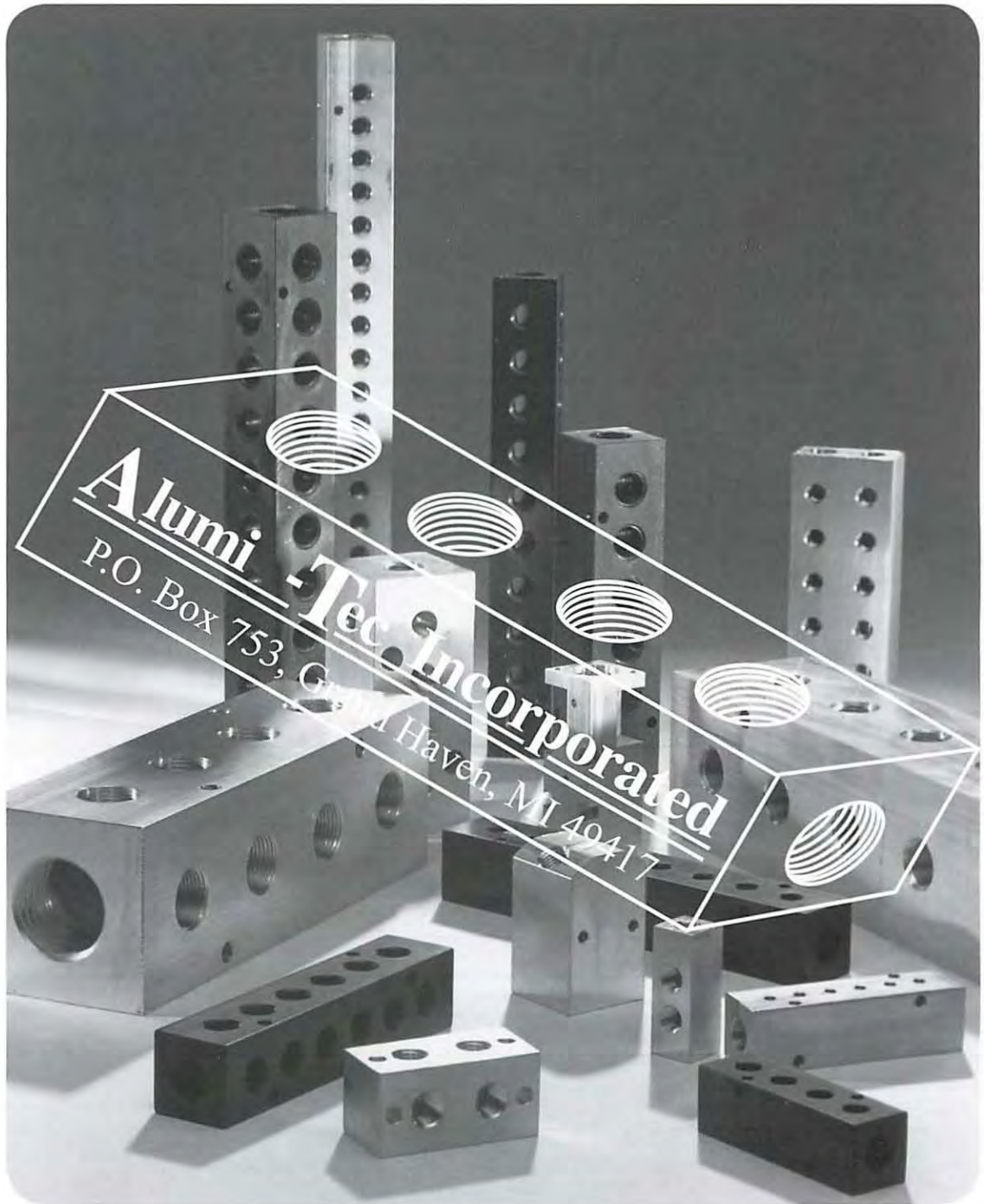
If you use any of these...



292 sizes in stock for immediate delivery!

Most U.P.S. orders shipped same day!

...you need these!

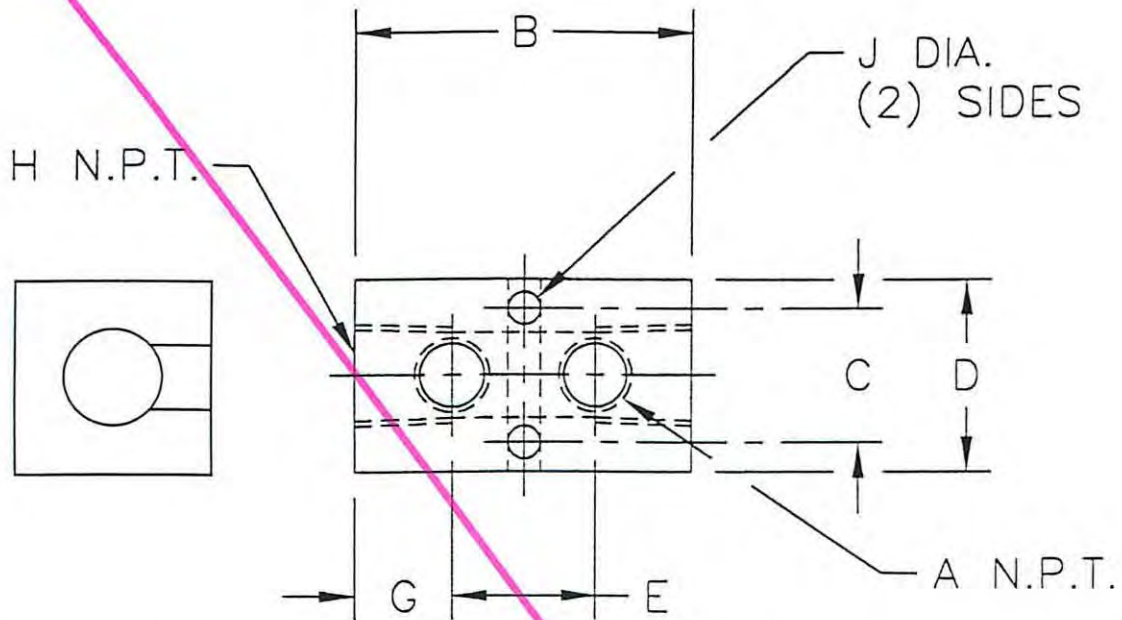


1-800-327-7558

FAX 1-800-338-4811

See page 22 for new custom items!

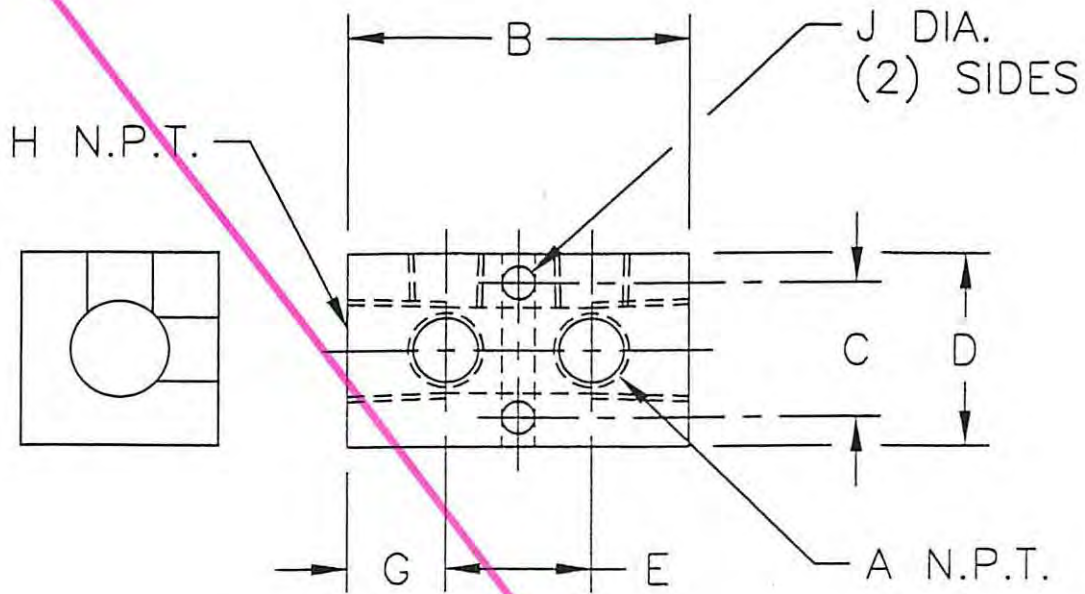
MANIFOLD WITH 2 PORTS



PART NO.	A	B	C	D	E	F	G	H	J
AM-1-2	1/8	1.75	.70	1.00	.75	0	.50	1/4	.17
AM-2-2	1/8	2.37	.88	1.25	.88	0	.75	3/8	.20
AM-3-2	1/4	2.37	.88	1.25	.88	0	.75	3/8	.20
AM-4-2	1/4	2.75	1.12	1.50	1.00	0	.88	1/2	.20
AM-5-2	3/8	2.75	1.12	1.50	1.00	0	.88	1/2	.20
AM-6-2	1/8	3.25	.70	1.00	1.50	0	.88	1/4	.17
AM-7-2	1/8	3.25	.88	1.25	1.50	0	.88	3/8	.20
AM-8-2	1/4	3.25	.88	1.25	1.50	0	.88	3/8	.20
AM-9-2	1/4	3.25	1.12	1.50	1.50	0	.88	1/2	.20
AM-10-2	3/8	3.25	1.12	1.50	1.50	0	.88	1/2	.20
*AM-11-2	1/4	5.25	1.62	2.25	2.25	0	1.50	1"	.265
*AM-12-2	3/8	5.25	1.62	2.25	2.25	0	1.50	1"	.265
*AM-13-2	1/2	5.25	1.62	2.25	2.25	0	1.50	1"	.265
*AM-14-2	3/4	6.00	1.62	2.25	3.00	0	1.50	1"	.265
*AM-15-2	1/4	5.25	2.38	3.00	2.25	0	1.50	1 1/4	.33
*AM-16-2	3/8	5.25	2.38	3.00	2.25	0	1.50	1 1/4	.33
*AM-17-2	1/2	5.25	2.38	3.00	2.25	0	1.50	1 1/4	.33
*AM-18-2	3/4	6.00	2.38	3.00	3.00	0	1.50	1 1/4	.33

*Non Anodized

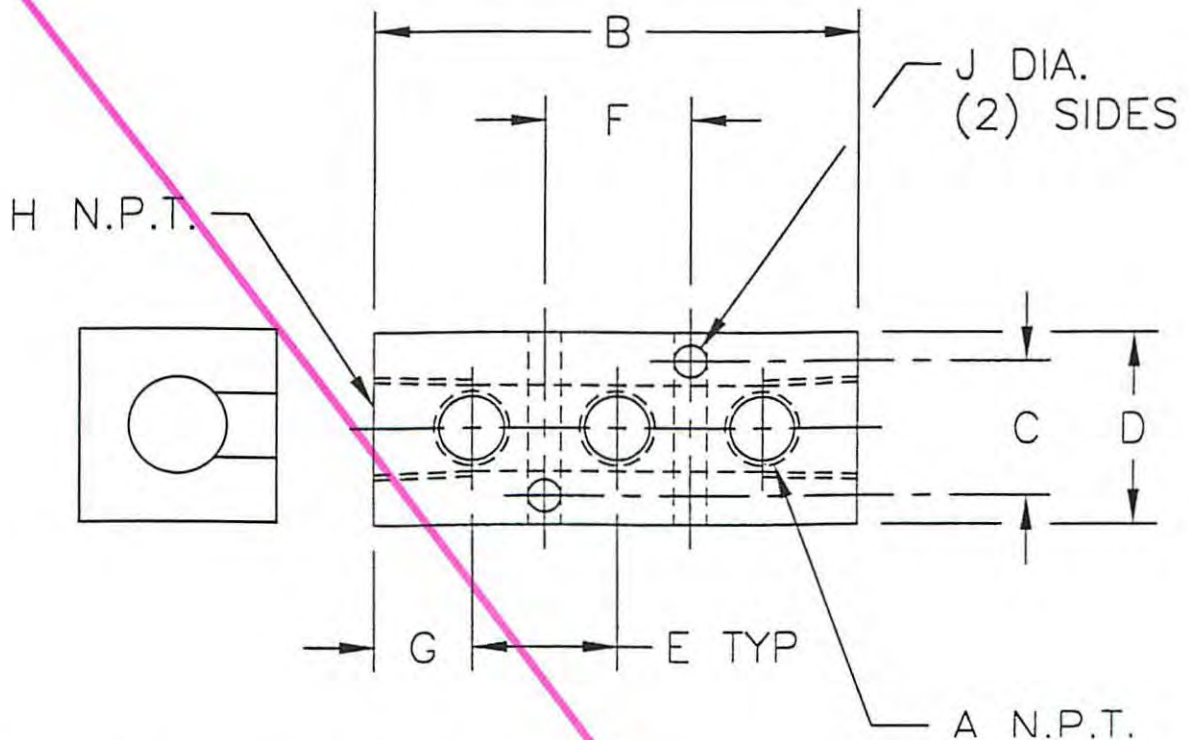
MANIFOLD WITH 2 PORTS 90°



PART NO.	A	B	C	D	E	F	G	H	J
90-AM-1-2	1/8	1.75	.70	1.00	.75	0	.50	1/4	.17
90-AM-2-2	1/8	2.37	.88	1.25	.88	0	.75	3/8	.20
90-AM-3-2	1/4	2.37	.88	1.25	.88	0	.75	3/8	.20
90-AM-4-2	1/4	2.75	1.12	1.50	1.00	0	.88	1/2	.20
90-AM-5-2	3/8	2.75	1.12	1.50	1.00	0	.88	1/2	.20
90-AM-6-2	1/8	3.25	.70	1.00	1.50	0	.88	1/4	.17
90-AM-7-2	1/8	3.25	.88	1.25	1.50	0	.88	3/8	.20
90-AM-8-2	1/4	3.25	.88	1.25	1.50	0	.88	3/8	.20
90-AM-9-2	1/4	3.25	1.12	1.50	1.50	0	.88	1/2	.20
90-AM-10-2	3/8	3.25	1.12	1.50	1.50	0	.88	1/2	.20
*90-AM-11-2	1/4	5.25	1.62	2.25	2.25	0	1.50	1"	.265
*90-AM-12-2	3/8	5.25	1.62	2.25	2.25	0	1.50	1"	.265
*90-AM-13-2	1/2	5.25	1.62	2.25	2.25	0	1.50	1"	.265
*90-AM-14-2	3/4	6.00	1.62	2.25	3.00	0	1.50	1"	.265
*90-AM-15-2	1/4	5.25	2.38	3.00	2.25	0	1.50	1 1/4	.33
*90-AM-16-2	3/8	5.25	2.38	3.00	2.25	0	1.50	1 1/4	.33
*90-AM-17-2	1/2	5.25	2.38	3.00	2.25	0	1.50	1 1/4	.33
*90-AM-18-2	3/4	6.00	2.38	3.00	3.00	0	1.50	1 1/4	.33

*Non Anodized

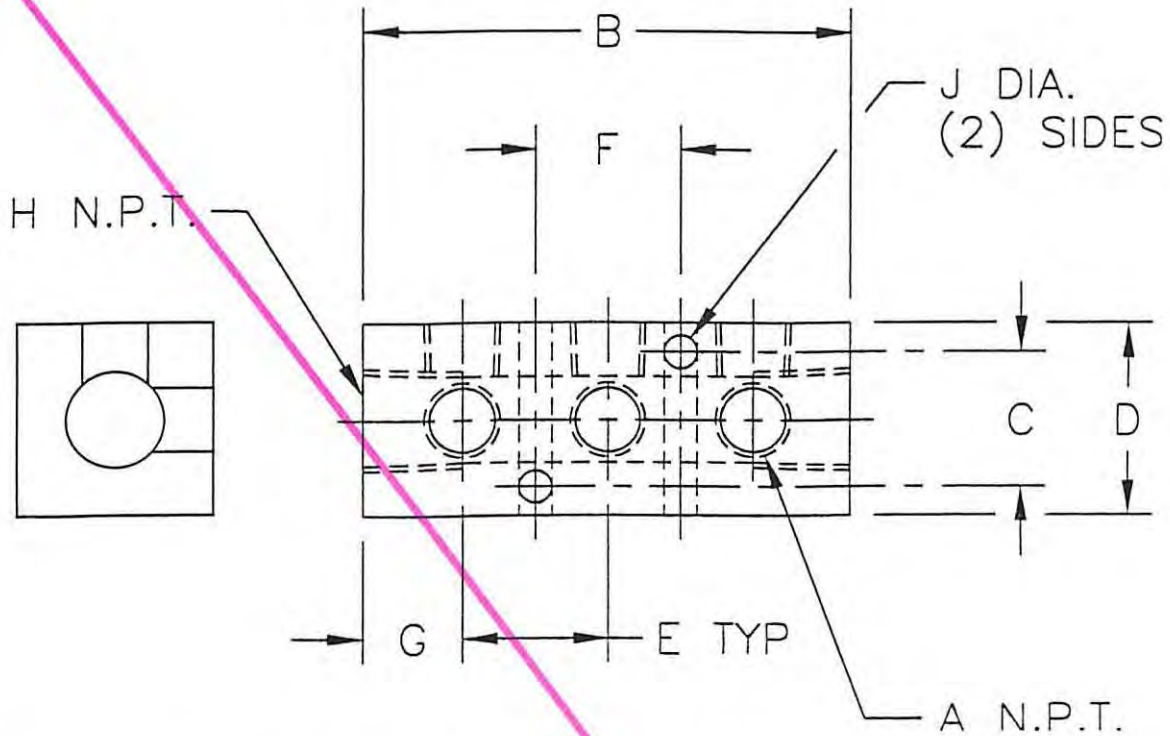
MANIFOLD WITH 3 PORTS



PART NO.	A	B	C	D	E	F	G	H	J
AM-1-3	1/8	2.50	.70	1.00	.75	.75	.50	1/4	.17
AM-2-3	1/8	3.25	.88	1.25	.88	.88	.75	3/8	.20
AM-3-3	1/4	3.25	.88	1.25	.88	.88	.75	3/8	.20
AM-4-3	1/4	3.75	1.12	1.50	1.00	1.00	.88	1/2	.20
AM-5-3	3/8	3.75	1.12	1.50	1.00	1.00	.88	1/2	.20
AM-6-3	1/8	4.75	.70	1.00	1.50	1.50	.88	1/4	.17
AM-7-3	1/8	4.75	.88	1.25	1.50	1.50	.88	3/8	.20
AM-8-3	1/4	4.75	.88	1.25	1.50	1.50	.88	3/8	.20
AM-9-3	1/4	4.75	1.12	1.50	1.50	1.50	.88	1/2	.20
AM-10-3	3/8	4.75	1.12	1.50	1.50	1.50	.88	1/2	.20
*AM-11-3	1/4	7.50	1.62	2.25	2.25	2.25	1.50	1"	.265
*AM-12-3	3/8	7.50	1.62	2.25	2.25	2.25	1.50	1"	.265
*AM-13-3	1/2	7.50	1.62	2.25	2.25	2.25	1.50	1"	.265
*AM-14-3	3/4	9.00	1.62	2.25	3.00	3.00	1.50	1"	.265
*AM-15-3	1/4	7.50	2.38	3.00	2.25	2.25	1.50	1 1/4	.33
*AM-16-3	3/8	7.50	2.38	3.00	2.25	2.25	1.50	1 1/4	.33
*AM-17-3	1/2	7.50	2.38	3.00	2.25	2.25	1.50	1 1/4	.33
*AM-18-3	3/4	9.00	2.38	3.00	3.00	3.00	1.50	1 1/4	.33

*Non Anodized

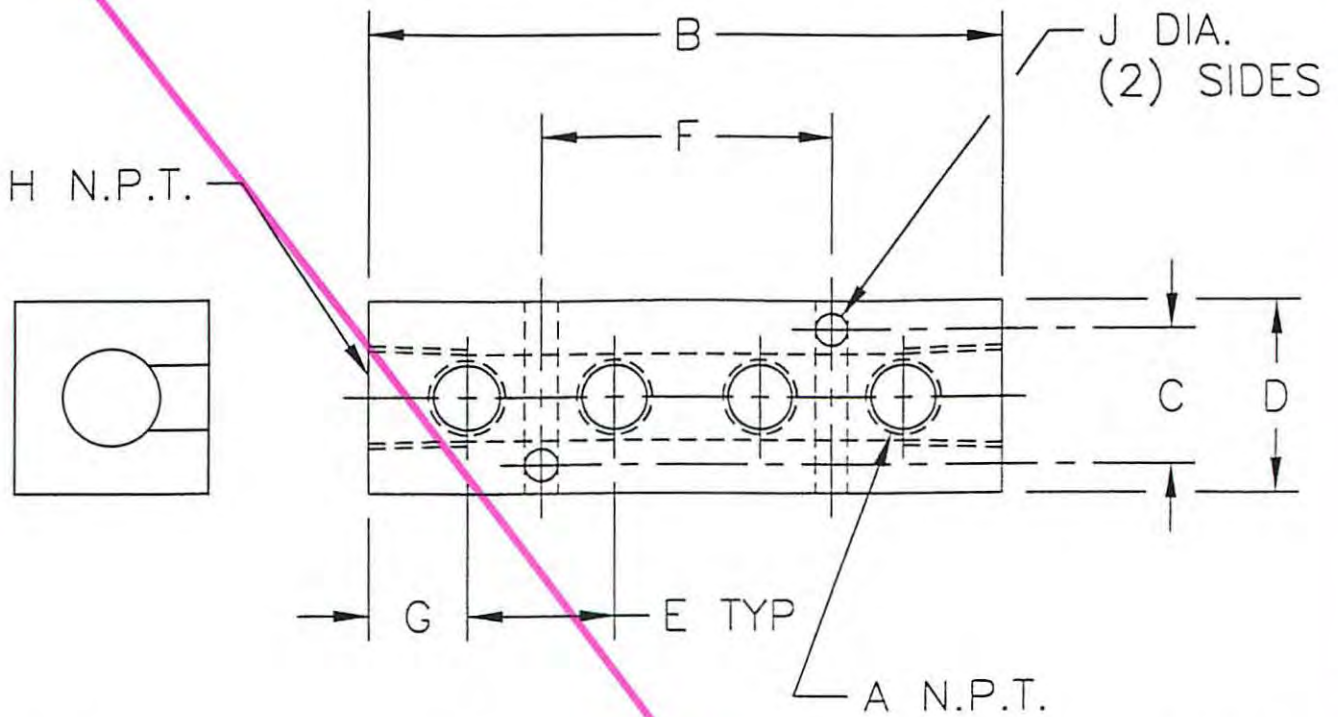
MANIFOLD WITH 3 PORTS 90°



PART NO.	A	B	C	D	E	F	G	H	J
90-AM-1-3	1/8	2.50	.70	1.00	.75	.75	.50	1/4	.17
90-AM-2-3	1/8	3.25	.88	1.25	.88	.88	.75	3/8	.20
90-AM-3-3	1/4	3.25	.88	1.25	.88	.88	.75	3/8	.20
90-AM-4-3	1/4	3.75	1.12	1.50	1.00	1.00	.88	1/2	.20
90-AM-5-3	3/8	3.75	1.12	1.50	1.00	1.00	.88	1/2	.20
90-AM-6-3	1/8	4.75	.70	1.00	1.50	1.50	.88	1/4	.17
90-AM-7-3	1/8	4.75	.88	1.25	1.50	1.50	.88	3/8	.20
90-AM-8-3	1/4	4.75	.88	1.25	1.50	1.50	.88	3/8	.20
90-AM-9-3	1/4	4.75	1.12	1.50	1.50	1.50	.88	1/2	.20
90-AM-10-3	3/8	4.75	1.12	1.50	1.50	1.50	.88	1/2	.20
*90-AM-11-3	1/4	7.50	1.62	2.25	2.25	2.25	1.50	1"	.265
*90-AM-12-3	3/8	7.50	1.62	2.25	2.25	2.25	1.50	1"	.265
*90-AM-13-3	1/2	7.50	1.62	2.25	2.25	2.25	1.50	1"	.265
*90-AM-14-3	3/4	9.00	1.62	2.25	3.00	3.00	1.50	1"	.265
*90-AM-15-3	1/4	7.50	2.38	3.00	2.25	2.25	1.50	1 1/4	.33
*90-AM-16-3	3/8	7.50	2.38	3.00	2.25	2.25	1.50	1 1/4	.33
*90-AM-17-3	1/2	7.50	2.38	3.00	2.25	2.25	1.50	1 1/4	.33
*90-AM-18-3	3/4	9.00	2.38	3.00	3.00	3.00	1.50	1 1/4	.33

*Non Anodized

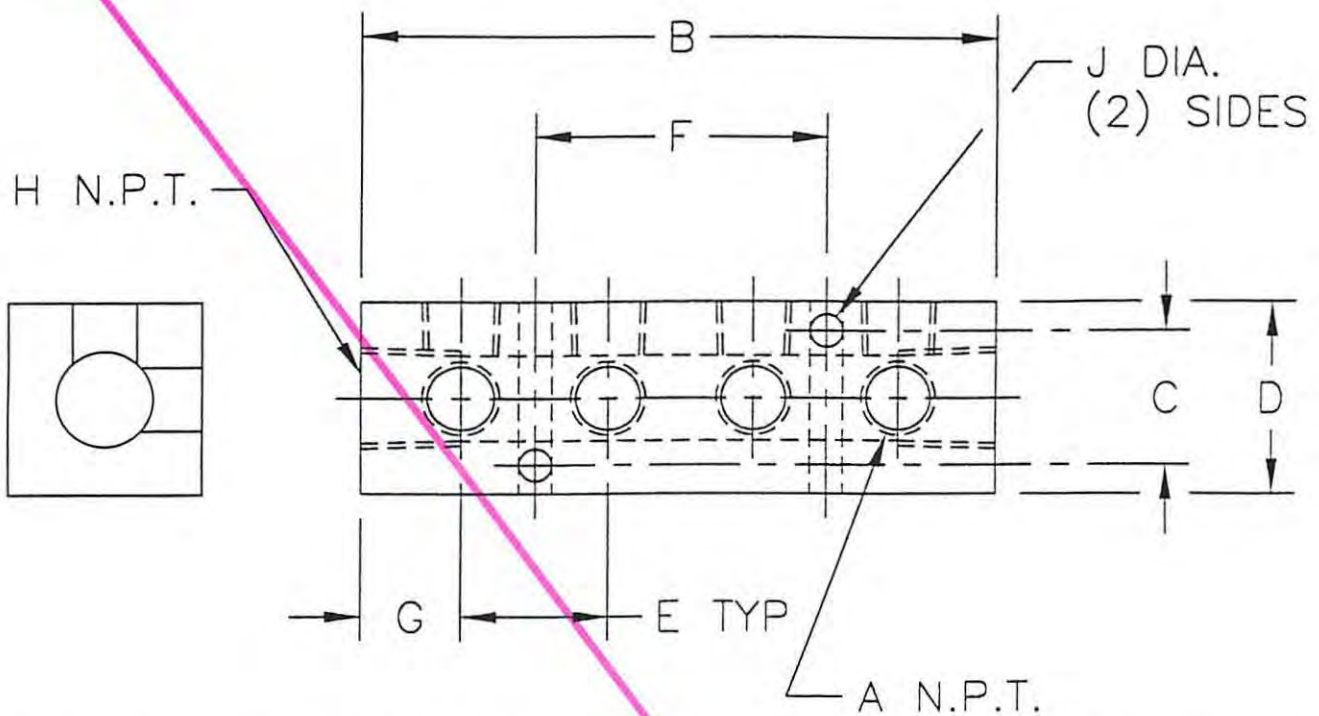
MANIFOLD WITH 4 PORTS



PART NO.	A	B	C	D	E	F	G	H	J
AM-1-4	1/8	3.25	.70	1.00	.75	1.50	.50	1/4	.17
AM-2-4	1/8	4.12	.88	1.25	.88	1.75	.75	3/8	.20
AM-3-4	1/4	4.12	.88	1.25	.88	1.75	.75	3/8	.20
AM-4-4	1/4	4.75	1.12	1.50	1.00	2.00	.88	1/2	.20
AM-5-4	3/8	4.75	1.12	1.50	1.00	2.00	.88	1/2	.20
AM-6-4	1/8	6.25	.70	1.00	1.50	3.00	.88	1/4	.17
AM-7-4	1/8	6.25	.88	1.25	1.50	3.00	.88	3/8	.20
AM-8-4	1/4	6.25	.88	1.25	1.50	3.00	.88	3/8	.20
AM-9-4	1/4	6.25	1.12	1.50	1.50	3.00	.88	1/2	.20
AM-10-4	3/8	6.25	1.12	1.50	1.50	3.00	.88	1/2	.20
*AM-11-4	1/4	9.75	1.62	2.25	2.25	4.50	1.50	1"	.265
*AM-12-4	3/8	9.75	1.62	2.25	2.25	4.50	1.50	1"	.265
*AM-13-4	1/2	9.75	1.62	2.25	2.25	4.50	1.50	1"	.265
*AM-14-4	3/4	12.00	1.62	2.25	3.00	6.00	1.50	1"	.265
*AM-15-4	1/4	9.75	2.38	3.00	2.25	4.50	1.50	1 1/4	.33
*AM-16-4	3/8	9.75	2.38	3.00	2.25	4.50	1.50	1 1/4	.33
*AM-17-4	1/2	9.75	2.38	3.00	2.25	4.50	1.50	1 1/4	.33
*AM-18-4	3/4	12.00	2.38	3.00	3.00	6.00	1.50	1 1/4	.33

*Non Anodized

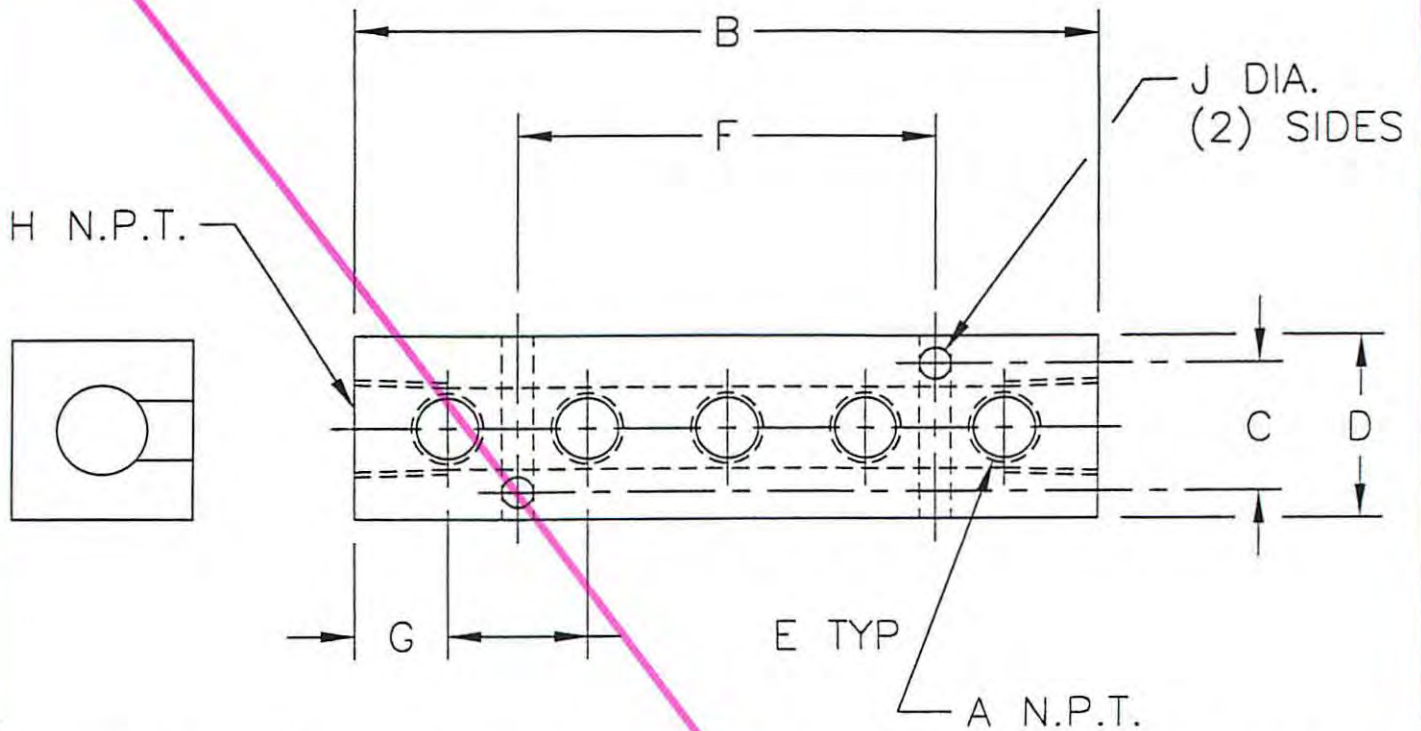
MANIFOLD WITH 4 PORTS 90°



PART NO.	A	B	C	D	E	F	G	H	J
90-AM-1-4	1/8	3.25	.70	1.00	.75	1.50	.50	1/4	.17
90-AM-2-4	1/8	4.12	.88	1.25	.88	1.75	.75	3/8	.20
90-AM-3-4	1/4	4.12	.88	1.25	.88	1.75	.75	3/8	.20
90-AM-4-4	1/4	4.75	1.12	1.50	1.00	2.00	.88	1/2	.20
90-AM-5-4	3/8	4.75	1.12	1.50	1.00	2.00	.88	1/2	.20
90-AM-6-4	1/8	6.25	.70	1.00	1.50	3.00	.88	1/4	.17
90-AM-7-4	1/8	6.25	.88	1.25	1.50	3.00	.88	3/8	.20
90-AM-8-4	1/4	6.25	.88	1.25	1.50	3.00	.88	3/8	.20
90-AM-9-4	1/4	6.25	1.12	1.50	1.50	3.00	.88	1/2	.20
90-AM-10-4	3/8	6.25	1.12	1.50	1.50	3.00	.88	1/2	.20
*90-AM-11-4	1/4	9.75	1.62	2.25	2.25	4.50	1.50	1"	.265
*90-AM-12-4	3/8	9.75	1.62	2.25	2.25	4.50	1.50	1"	.265
*90-AM-13-4	1/2	9.75	1.62	2.25	2.25	4.50	1.50	1"	.265
*90-AM-14-4	3/4	12.00	1.62	2.25	3.00	6.00	1.50	1"	.265
*90-AM-15-4	1/4	9.75	2.38	3.00	2.25	4.50	1.50	1 1/4	.33
*90-AM-16-4	3/8	9.75	2.38	3.00	2.25	4.50	1.50	1 1/4	.33
*90-AM-17-4	1/2	9.75	2.38	3.00	2.25	4.50	1.50	1 1/4	.33
*90-AM-18-4	3/4	12.00	2.38	3.00	3.00	6.00	1.50	1 1/4	.33

*Non Anodized

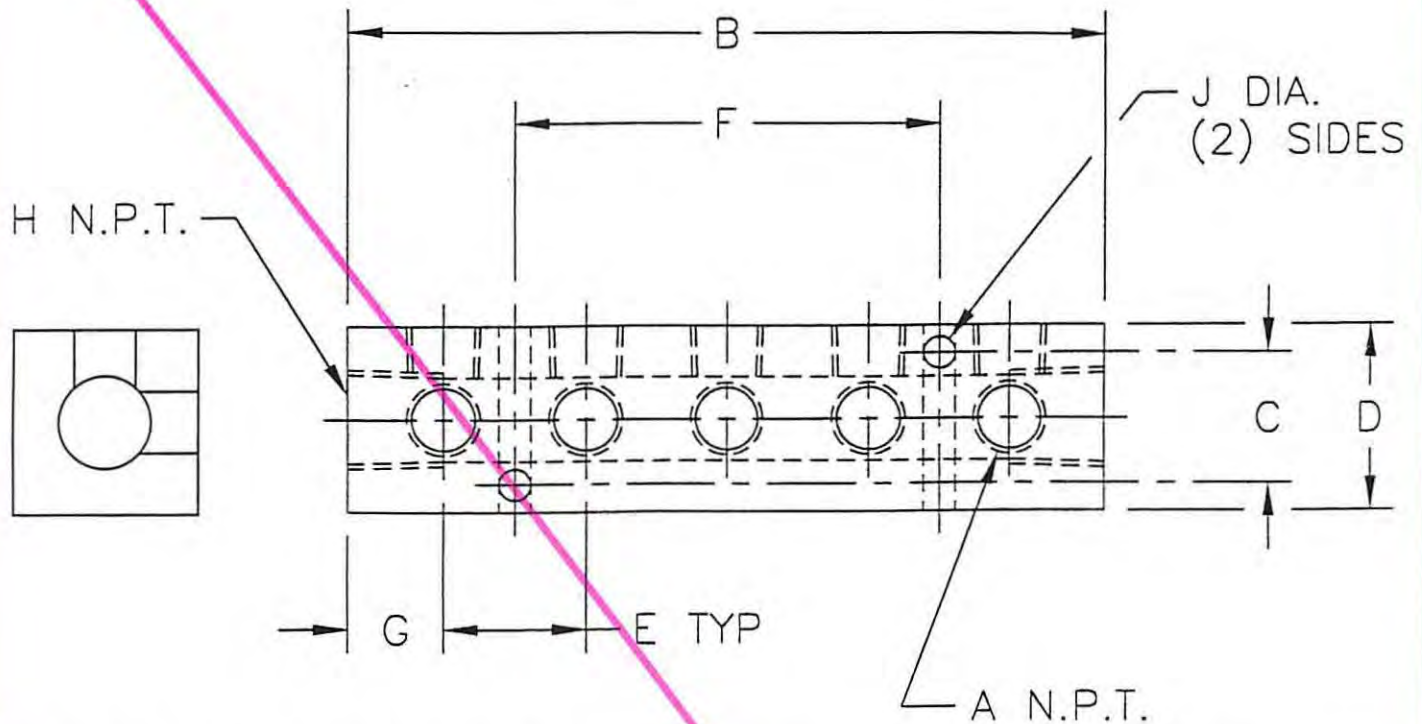
MANIFOLD WITH 5 PORTS



PART NO.	A	B	C	D	E	F	G	H	J
AM-1-5	1/8	4.00	.70	1.00	.75	2.25	.50	1/4	.17
AM-2-5	1/8	5.00	.88	1.25	.88	2.62	.75	3/8	.20
AM-3-5	1/4	5.00	.88	1.25	.88	2.62	.75	3/8	.20
AM-4-5	1/4	5.75	1.12	1.50	1.00	3.00	.88	1/2	.20
AM-5-5	3/8	5.75	1.12	1.50	1.00	3.00	.88	1/2	.20
AM-6-5	1/8	7.50	.70	1.00	1.50	4.50	.88	1/4	.17
AM-7-5	1/8	7.50	.88	1.25	1.50	4.50	.88	3/8	.20
AM-8-5	1/4	7.75	.88	1.25	1.50	4.50	.88	3/8	.20
AM-9-5	1/4	7.75	1.12	1.50	1.50	4.50	.88	1/2	.20
AM-10-5	3/8	7.75	1.12	1.50	1.50	4.50	.88	1/2	.20
*AM-11-5	1/4	12.00	1.62	2.25	2.25	6.75	1.50	1"	.265
*AM-12-5	3/8	12.00	1.62	2.25	2.25	6.75	1.50	1"	.265
*AM-13-5	1/2	12.00	1.62	2.25	2.25	6.75	1.50	1"	.265
*AM-14-5	3/4	15.00	1.62	2.25	3.00	9.00	1.50	1"	.265
*AM-15-5	1/4	12.00	2.38	3.00	2.25	6.75	1.50	1 1/4	.33
*AM-16-5	3/8	12.00	2.38	3.00	2.25	6.75	1.50	1 1/4	.33
*AM-17-5	1/2	12.00	2.38	3.00	2.25	6.75	1.50	1 1/4	.33
*AM-18-5	3/4	15.00	2.38	3.00	3.00	9.00	1.50	1 1/4	.33

*Non Anodized

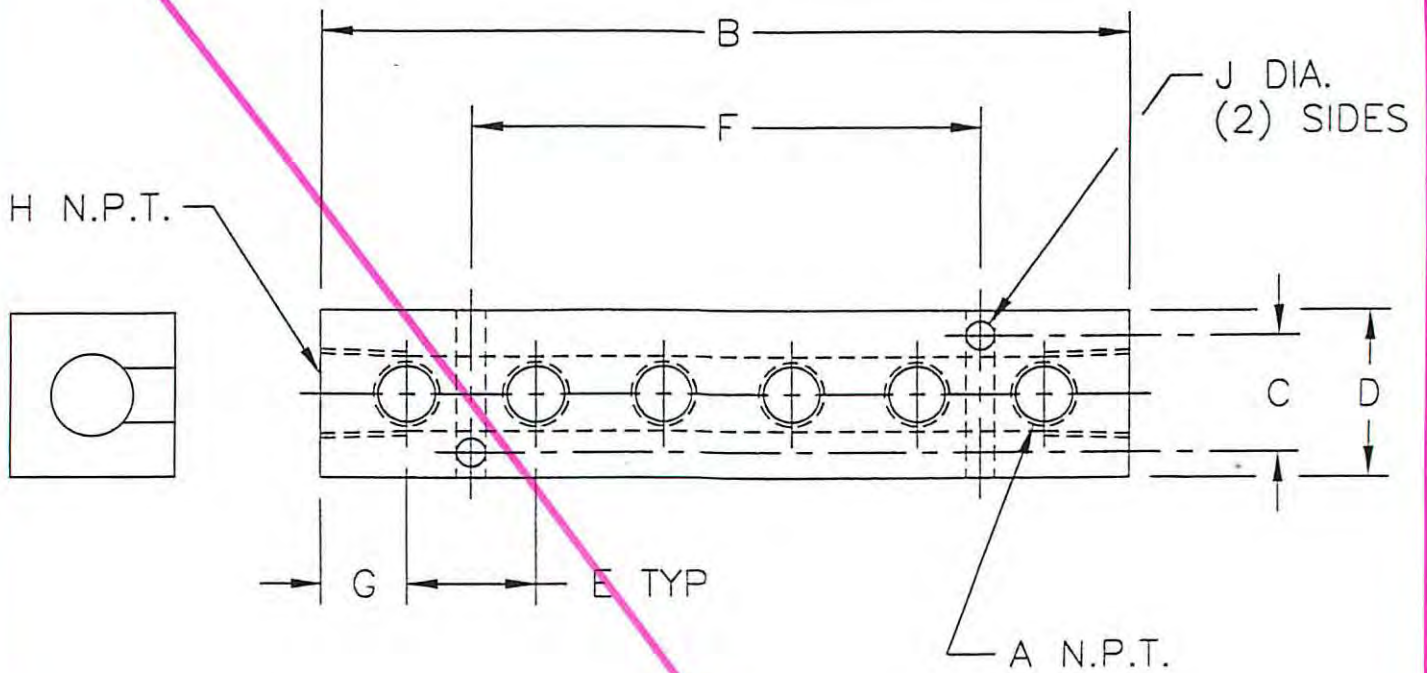
MANIFOLD WITH 5 PORTS 90°



PART NO.	A	B	C	D	E	F	G	H	J
90-AM-1-5	1/8	4.00	.70	1.00	.75	2.25	.50	1/4	.17
90-AM-2-5	1/8	5.00	.88	1.25	.88	2.62	.75	3/8	.20
90-AM-3-5	1/4	5.00	.88	1.25	.88	2.62	.75	3/8	.20
90-AM-4-5	1/4	5.75	1.12	1.50	1.00	3.00	.88	1/2	.20
90-AM-5-5	3/8	5.75	1.12	1.50	1.00	3.00	.88	1/2	.20
90-AM-6-5	1/8	7.50	.70	1.00	1.50	4.50	.88	1/4	.17
90-AM-7-5	1/8	7.50	.88	1.25	1.50	4.50	.88	3/8	.20
90-AM-8-5	1/4	7.75	.88	1.25	1.50	4.50	.88	3/8	.20
90-AM-9-5	1/4	7.75	1.12	1.50	1.50	4.50	.88	1/2	.20
90-AM-10-5	3/8	7.75	1.12	1.50	1.50	4.50	.88	1/2	.20
*90-AM-11-5	1/4	12.00	1.62	2.25	2.25	6.75	1.50	1"	.265
*90-AM-12-5	3/8	12.00	1.62	2.25	2.25	6.75	1.50	1"	.265
*90-AM-13-5	1/2	12.00	1.62	2.25	2.25	6.75	1.50	1"	.265
*90-AM-14-5	3/4	15.00	1.62	2.25	3.00	9.00	1.50	1"	.265
*90-AM-15-5	1/4	12.00	2.38	3.00	2.25	6.75	1.50	1 1/4	.33
*90-AM-16-5	3/8	12.00	2.38	3.00	2.25	6.75	1.50	1 1/4	.33
*90-AM-17-5	1/2	12.00	2.38	3.00	2.25	6.75	1.50	1 1/4	.33
*90-AM-18-5	3/4	15.00	2.38	3.00	3.00	9.00	1.50	1 1/4	.33

*Non Anodized

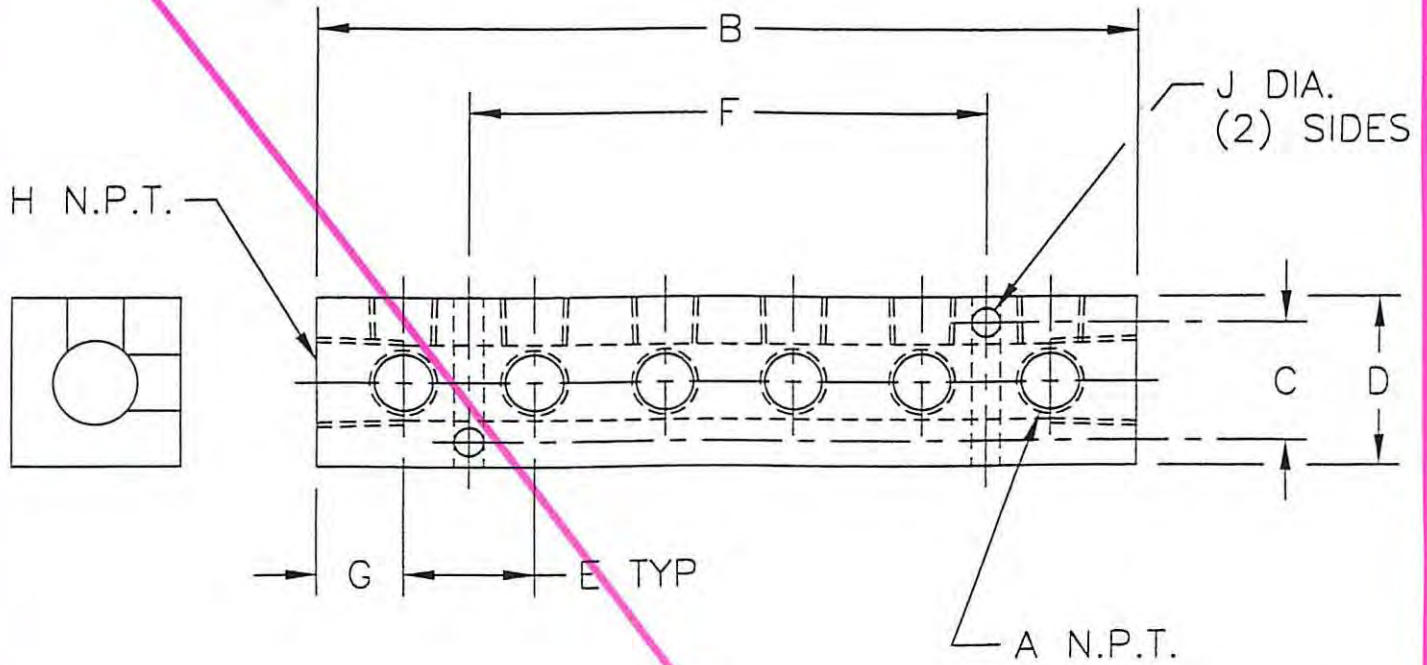
MANIFOLD WITH 6 PORTS



PART NO.	A	B	C	D	E	F	G	H	J
AM-1-6	1/8	4.75	.70	1.00	.75	3.00	.50	1/4	.17
AM-2-6	1/8	5.88	.88	1.25	.88	3.50	.75	3/8	.20
AM-3-6	1/4	5.88	.88	1.25	.88	3.50	.75	3/8	.20
AM-4-6	1/4	6.75	1.12	1.50	1.00	4.00	.88	1/2	.20
AM-5-6	3/8	6.75	1.12	1.50	1.00	4.00	.88	1/2	.20
AM-6-6	1/8	9.25	.70	1.00	1.50	6.00	.88	1/4	.17
AM-7-6	1/8	9.25	.88	1.25	1.50	6.00	.88	3/8	.20
AM-8-6	1/4	9.25	.88	1.25	1.50	6.00	.88	3/8	.20
AM-9-6	1/4	9.25	1.12	1.50	1.50	6.00	.88	1/2	.20
AM-10-6	3/8	9.25	1.12	1.50	1.50	6.00	.88	1/2	.20
*AM-11-6	1/4	14.25	1.62	2.25	2.25	9.00	1.50	1"	.265
*AM-12-6	3/8	14.25	1.62	2.25	2.25	9.00	1.50	1"	.265
*AM-13-6	1/2	14.25	1.62	2.25	2.25	9.00	1.50	1"	.265
*AM-14-6	3/4	18.00	1.62	2.25	3.00	12.00	1.50	1"	.265
*AM-15-6	1/4	14.25	2.38	3.00	2.25	9.00	1.50	1 1/4	.33
*AM-16-6	3/8	14.25	2.38	3.00	2.25	9.00	1.50	1 1/4	.33
*AM-17-6	1/2	14.25	2.38	3.00	2.25	9.00	1.50	1 1/4	.33
*AM-18-6	3/4	18.00	2.38	3.00	3.00	12.00	1.50	1 1/4	.33

*Non Anodized

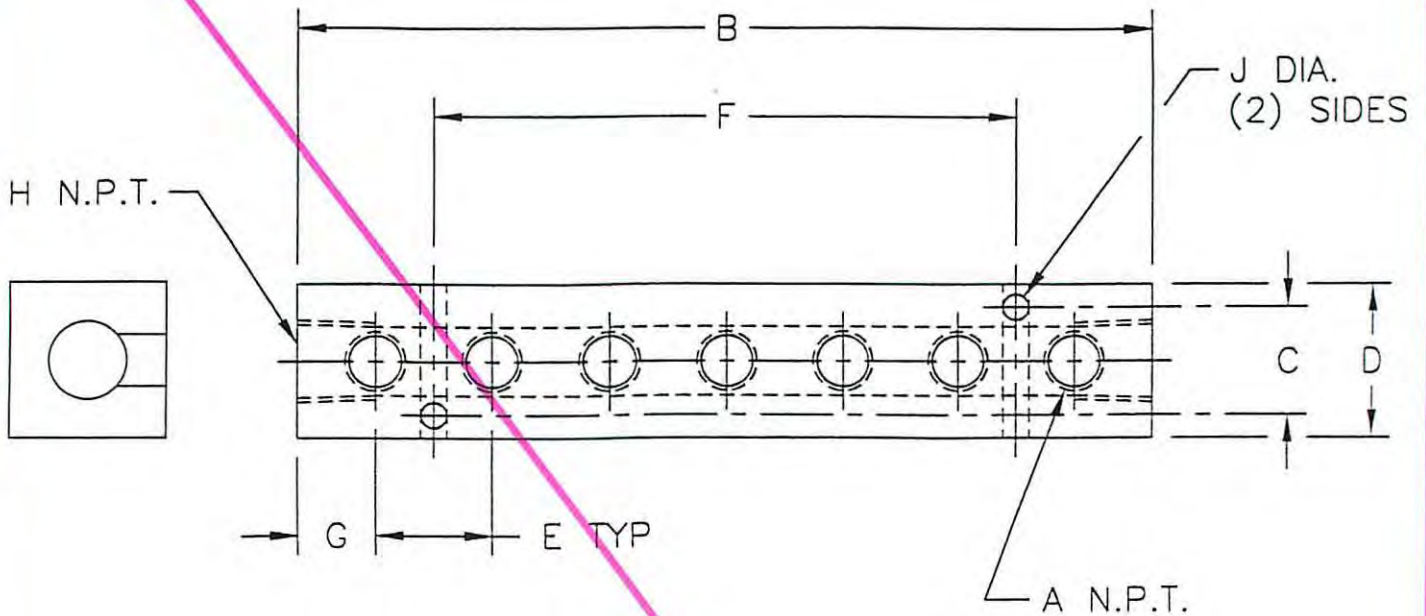
MANIFOLD WITH 6 PORTS 90°



PART NO.	A	B	C	D	E	F	G	H	J
90-AM-1-6	1/8	4.75	.70	1.00	.75	3.00	.50	1/4	.17
90-AM-2-6	1/8	5.88	.88	1.25	.88	3.50	.75	3/8	.20
90-AM-3-6	1/4	5.88	.88	1.25	.88	3.50	.75	3/8	.20
90-AM-4-6	1/4	6.75	1.12	1.50	1.00	4.00	.88	1/2	.20
90-AM-5-6	3/8	6.75	1.12	1.50	1.00	4.00	.88	1/2	.20
90-AM-6-6	1/8	9.25	.70	1.00	1.50	6.00	.88	1/4	.17
90-AM-7-6	1/8	9.25	.88	1.25	1.50	6.00	.88	3/8	.20
90-AM-8-6	1/4	9.25	.88	1.25	1.50	6.00	.88	3/8	.20
90-AM-9-6	1/4	9.25	1.12	1.50	1.50	6.00	.88	1/2	.20
90-AM-10-6	3/8	9.25	1.12	1.50	1.50	6.00	.88	1/2	.20
*90-AM-11-6	1/4	14.25	1.62	2.25	2.25	9.00	1.50	1"	.265
*90-AM-12-6	3/8	14.25	1.62	2.25	2.25	9.00	1.50	1"	.265
*90-AM-13-6	1/2	14.25	1.62	2.25	2.25	9.00	1.50	1"	.265
*90-AM-14-6	3/4	18.00	1.62	2.25	3.00	12.00	1.50	1"	.265
*90-AM-15-6	1/4	14.25	2.38	3.00	2.25	9.00	1.50	1 1/4	.33
*90-AM-16-6	3/8	14.25	2.38	3.00	2.25	9.00	1.50	1 1/4	.33
*90-AM-17-6	1/2	14.25	2.38	3.00	2.25	9.00	1.50	1 1/4	.33
*90-AM-18-6	3/4	18.00	2.38	3.00	3.00	12.00	1.50	1 1/4	.33

*Non Anodized

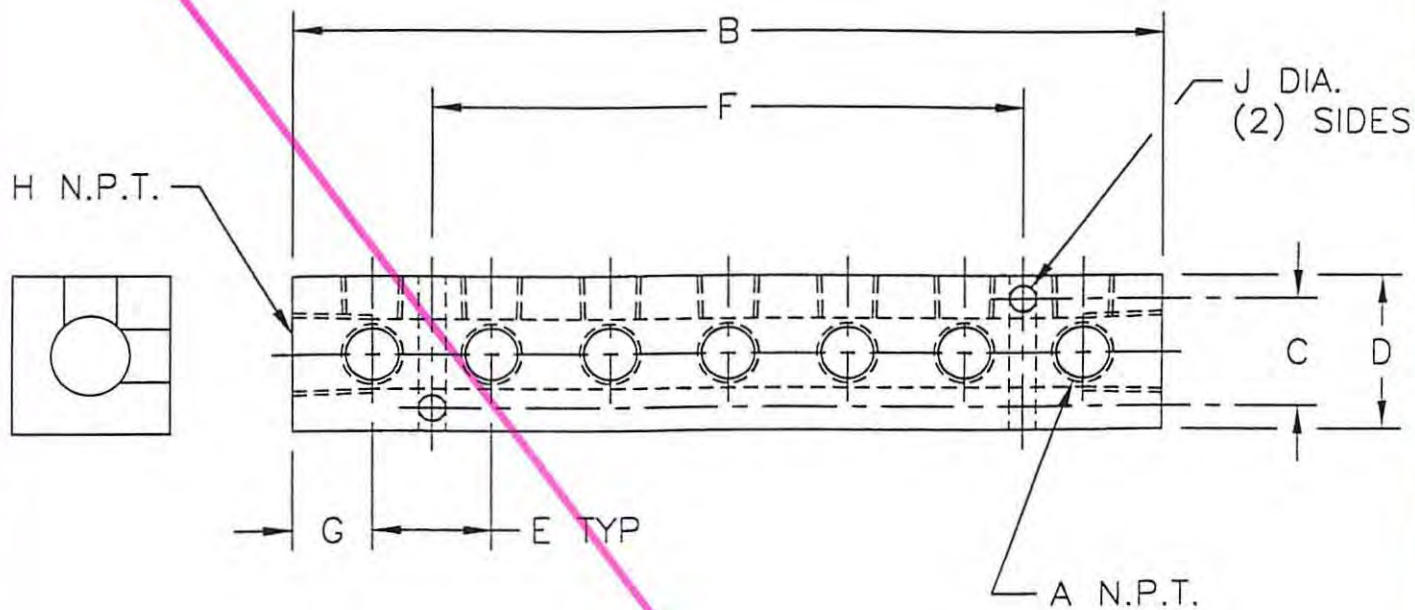
MANIFOLD WITH 7 PORTS



PART NO.	A	B	C	D	E	F	G	H	J
AM-1-7	1/8	5.50	.70	1.00	.75	3.75	.50	1/4	.17
AM-2-7	1/8	6.75	.88	1.25	.88	4.38	.75	3/8	.20
AM-3-7	1/4	6.75	.88	1.25	.88	4.38	.75	3/8	.20
AM-4-7	1/4	7.75	1.12	1.50	1.00	4.38	.88	1/2	.20
AM-5-7	3/8	7.75	1.12	1.50	1.00	5.00	.88	1/2	.20
AM-6-7	1/8	10.75	.70	1.00	1.50	5.00	.88	1/4	.17
AM-7-7	1/8	10.75	.88	1.25	1.50	7.50	.88	3/8	.20
AM-8-7	1/4	10.75	.88	1.25	1.50	7.50	.88	3/8	.20
AM-9-7	1/4	10.75	1.12	1.50	1.50	7.50	.88	1/2	.20
AM-10-7	3/8	10.75	1.12	1.50	1.50	7.50	.88	1/2	.20
*AM-11-7	1/4	16.50	1.62	2.25	2.25	11.25	1.50	1"	.265
*AM-12-7	3/8	16.50	1.62	2.25	2.25	11.25	1.50	1"	.265
*AM-13-7	1/2	16.50	1.62	2.25	2.25	11.25	1.50	1"	.265
*AM-14-7	3/4	21.00	1.62	2.25	3.00	15.00	1.50	1"	.265
*AM-15-7	1/4	16.50	2.38	3.00	2.25	11.25	1.50	1 1/4	.33
*AM-16-7	3/8	16.50	2.38	3.00	2.25	11.25	1.50	1 1/4	.33
*AM-17-7	1/2	16.50	2.38	3.00	2.25	11.25	1.50	1 1/4	.33
*AM-18-7	3/4	21.00	2.38	3.00	3.00	15.00	1.50	1 1/4	.33

*Non Anodized

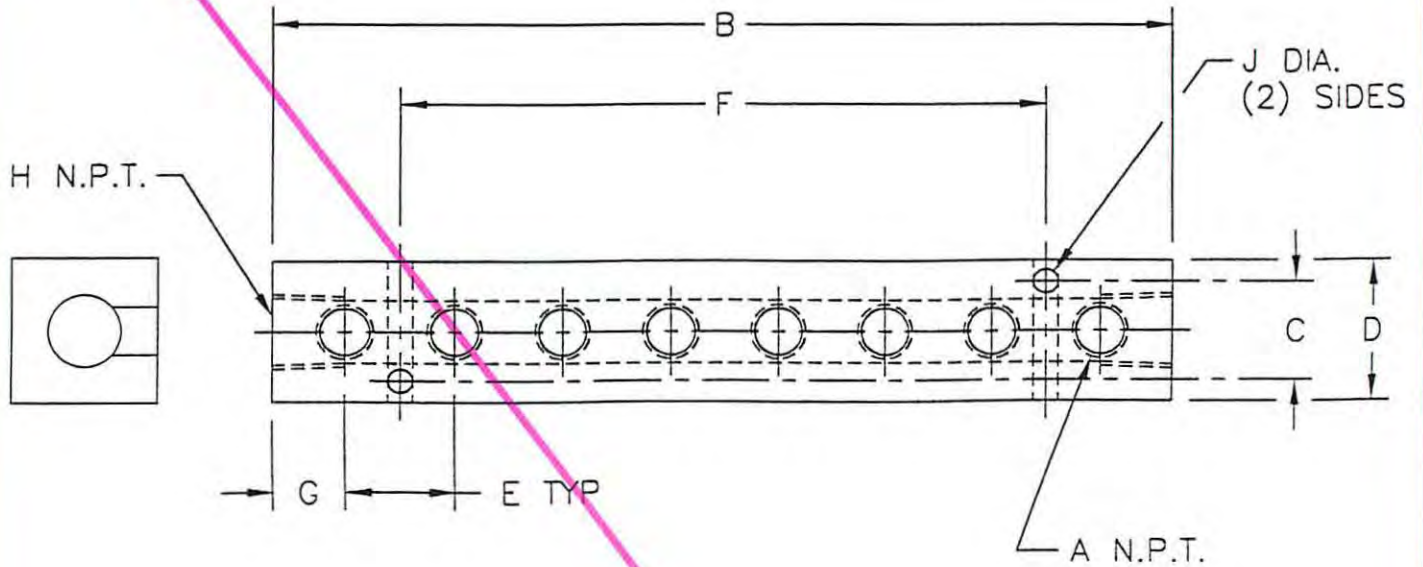
MANIFOLD WITH 7 PORTS 90°



PART NO.	A	B	C	D	E	F	G	H	J
90-AM-1-7	1/8	5.50	.70	1.00	.75	3.75	.50	1/4	.17
90-AM-2-7	1/8	6.75	.88	1.25	.88	4.38	.75	3/8	.20
90-AM-3-7	1/4	6.75	.88	1.25	.88	4.38	.75	3/8	.20
90-AM-4-7	1/4	7.75	1.12	1.50	1.00	4.38	.88	1/2	.20
90-AM-5-7	3/8	7.75	1.12	1.50	1.00	5.00	.88	1/2	.20
90-AM-6-7	1/8	10.75	.70	1.00	1.50	5.00	.88	1/4	.17
90-AM-7-7	1/8	10.75	.88	1.25	1.50	7.50	.88	3/8	.20
90-AM-8-7	1/4	10.75	.88	1.25	1.50	7.50	.88	3/8	.20
90-AM-9-7	1/4	10.75	1.12	1.50	1.50	7.50	.88	1/2	.20
90-AM-10-7	3/8	10.75	1.12	1.50	1.50	7.50	.88	1/2	.20
*90-AM-11-7	1/4	16.50	1.62	2.25	2.25	11.25	1.50	1"	.265
*90-AM-12-7	3/8	16.50	1.62	2.25	2.25	11.25	1.50	1"	.265
*90-AM-13-7	1/2	16.50	1.62	2.25	2.25	11.25	1.50	1"	.265
*90-AM-14-7	3/4	21.00	1.62	2.25	3.00	15.00	1.50	1"	.265
*90-AM-15-7	1/4	16.50	2.38	3.00	2.25	11.25	1.50	1 1/4	.33
*90-AM-16-7	3/8	16.50	2.38	3.00	2.25	11.25	1.50	1 1/4	.33
*90-AM-17-7	1/2	16.50	2.38	3.00	2.25	11.25	1.50	1 1/4	.33
*90-AM-18-7	3/4	21.00	2.38	3.00	3.00	15.00	1.50	1 1/4	.33

*Non Anodized

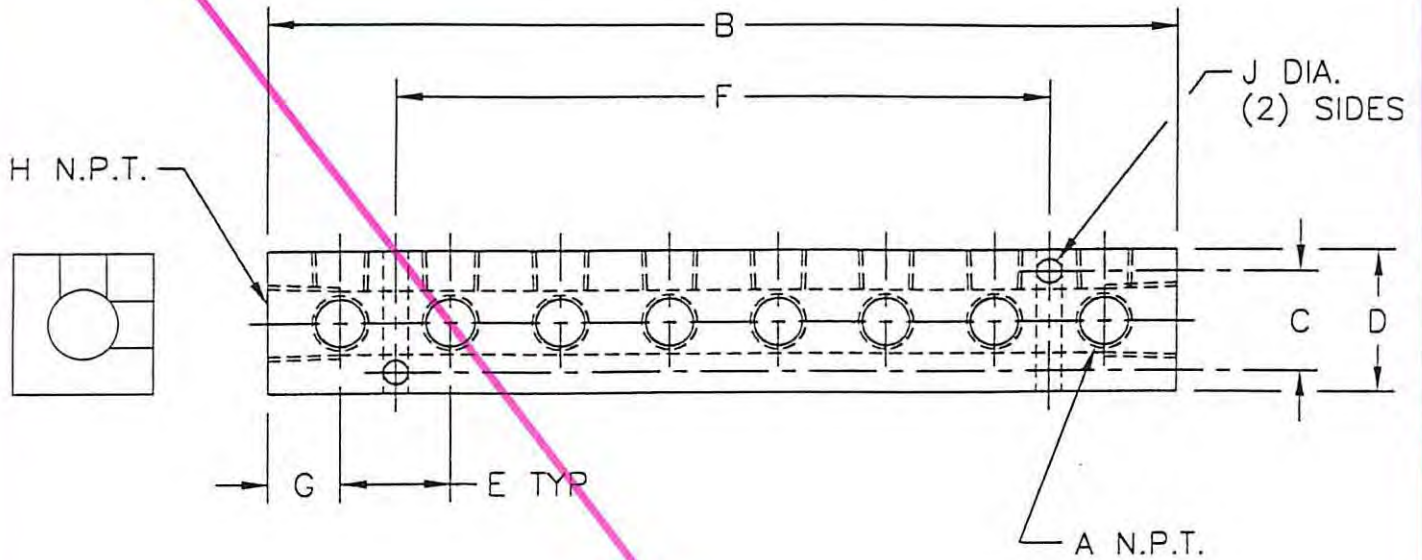
MANIFOLD WITH 8 PORTS



PART NO.	A	B	C	D	E	F	G	H	J
AM-1-8	1/8	6.25	.70	1.00	.75	4.50	.50	1/4	.17
AM-2-8	1/8	7.62	.88	1.25	.88	5.25	.75	3/8	.20
AM-3-8	1/4	7.62	.88	1.25	.88	5.25	.75	3/8	.20
AM-4-8	1/4	8.75	1.12	1.50	1.00	6.00	.88	1/2	.20
AM-5-8	3/8	8.75	1.12	1.50	1.00	6.00	.88	1/2	.20
AM-6-8	1/8	12.25	.70	1.00	1.50	9.00	.88	1/4	.17
AM-7-8	1/8	12.25	.88	1.25	1.50	9.00	.88	3/8	.20
AM-8-8	1/4	12.25	.88	1.25	1.50	9.00	.88	3/8	.20
AM-9-8	1/4	12.25	1.12	1.50	1.50	9.00	.88	1/2	.20
AM-10-8	3/8	12.25	1.12	1.50	1.50	9.00	.88	1/2	.20
*AM-11-8	1/4	18.75	1.62	2.25	2.25	13.50	1.50	1"	.265
*AM-12-8	3/8	18.75	1.62	2.25	2.25	13.50	1.50	1"	.265
*AM-13-8	1/2	18.75	1.62	2.25	2.25	13.50	1.50	1"	.265
*AM-14-8	3/4	24.00	1.62	2.25	3.00	18.00	1.50	1"	.265
*AM-15-8	1/4	18.75	2.38	3.00	2.25	13.50	1.50	1 1/4	.33
*AM-16-8	3/8	18.75	2.38	3.00	2.25	13.50	1.50	1 1/4	.33
*AM-17-8	1/2	18.75	2.38	3.00	2.25	13.50	1.50	1 1/4	.33
*AM-18-8	3/4	24.00	2.38	3.00	3.00	18.00	1.50	1 1/4	.33

*Non Anodized

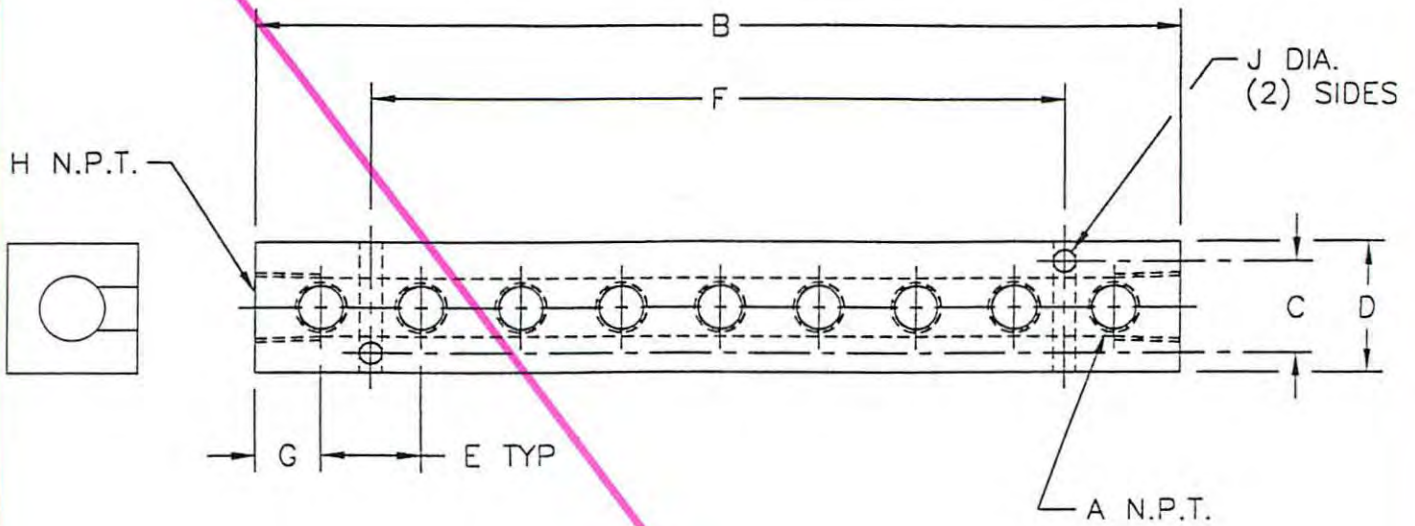
MANIFOLD WITH 8 PORTS 90°



PART NO.	A	B	C	D	E	F	G	H	J
90-AM-1-8	1/8	6.25	.70	1.00	.75	4.50	.50	1/4	.17
90-AM-2-8	1/8	7.62	.88	1.25	.88	5.25	.75	3/8	.20
90-AM-3-8	1/4	7.62	.88	1.25	.88	5.25	.75	3/8	.20
90-AM-4-8	1/4	8.75	1.12	1.50	1.00	6.00	.88	1/2	.20
90-AM-5-8	3/8	8.75	1.12	1.50	1.00	6.00	.88	1/2	.20
90-AM-6-8	1/8	12.25	.70	1.00	1.50	9.00	.88	1/4	.17
90-AM-7-8	1/8	12.25	.88	1.25	1.50	9.00	.88	3/8	.20
90-AM-8-8	1/4	12.25	.88	1.25	1.50	9.00	.88	3/8	.20
90-AM-9-8	1/4	12.25	1.12	1.50	1.50	9.00	.88	1/2	.20
90-AM-10-8	3/8	12.25	1.12	1.50	1.50	9.00	.88	1/2	.20
*90-AM-11-8	1/4	18.75	1.62	2.25	2.25	13.50	1.50	1"	.265
*90-AM-12-8	3/8	18.75	1.62	2.25	2.25	13.50	1.50	1"	.265
*90-AM-13-8	1/2	18.75	1.62	2.25	2.25	13.50	1.50	1"	.265
*90-AM-14-8	3/4	24.00	1.62	2.25	3.00	18.00	1.50	1"	.265
*90-AM-15-8	1/4	18.75	2.38	3.00	2.25	13.50	1.50	1 1/4	.33
*90-AM-16-8	3/8	18.75	2.38	3.00	2.25	13.50	1.50	1 1/4	.33
*90-AM-17-8	1/2	18.75	2.38	3.00	2.25	13.50	1.50	1 1/4	.33
*90-AM-18-8	3/4	24.00	2.38	3.00	3.00	18.00	1.50	1 1/4	.33

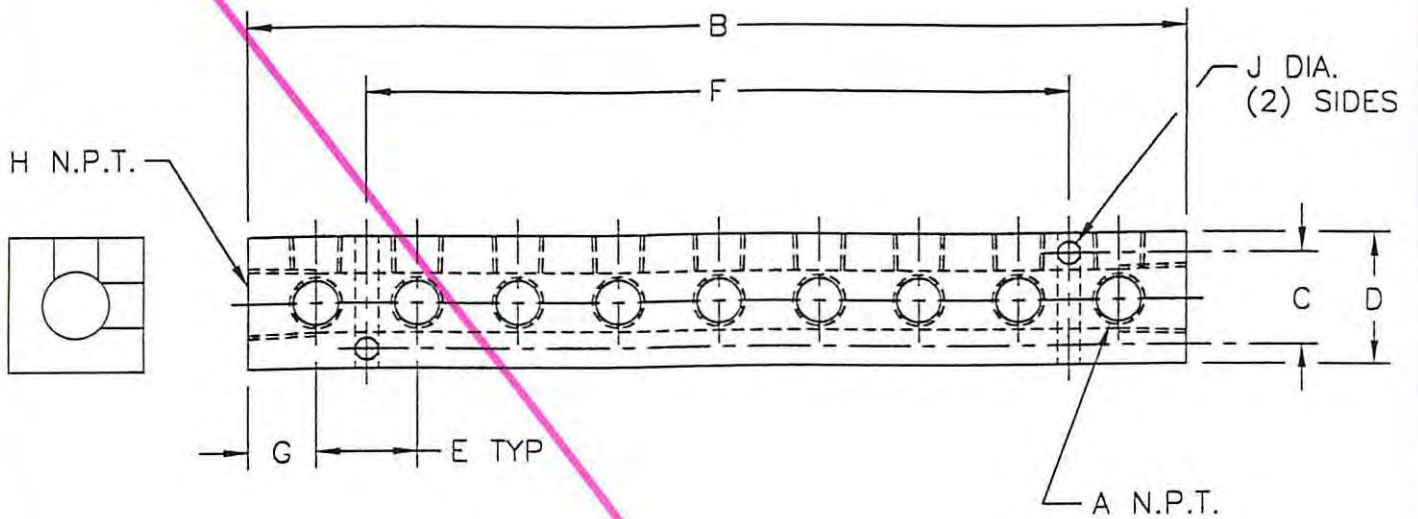
*Non Anodized

MANIFOLD WITH 9 PORTS



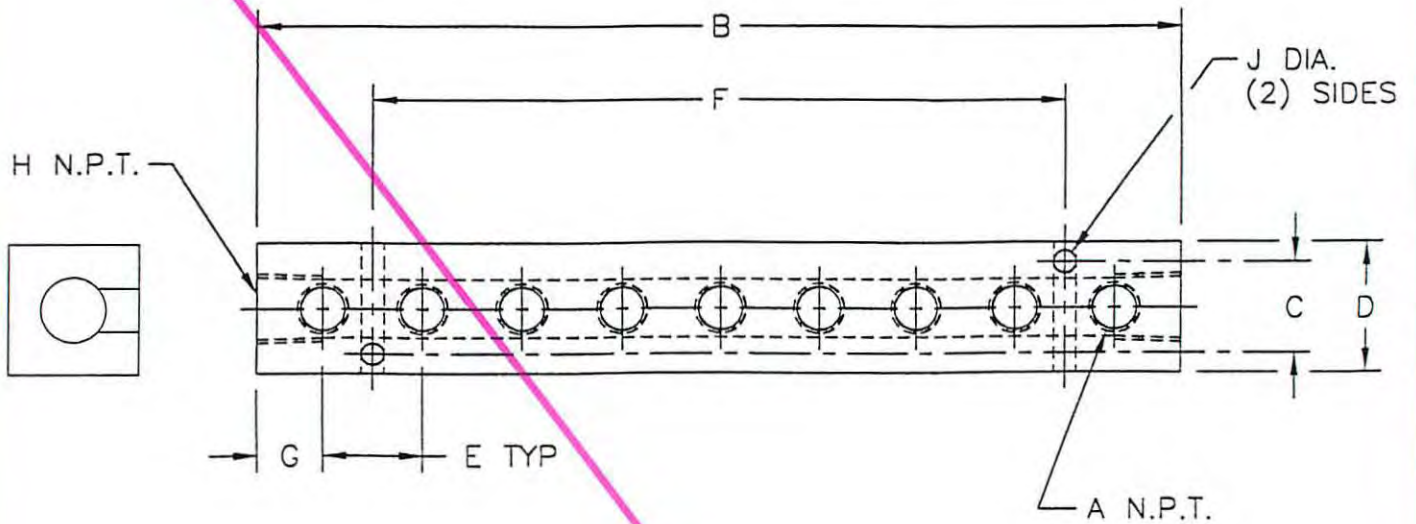
PART NO.	A	B	C	D	E	F	G	H	J
AM-1-9	1/8	7.00	.70	1.00	.75	5.25	.50	1/4	.17
AM-2-9	1/8	8.50	.88	1.25	.88	6.125	.75	3/8	.20
AM-3-9	1/4	8.50	.88	1.25	.88	6.125	.75	3/8	.20
AM-4-9	1/4	9.75	1.12	1.50	1.00	7.00	.88	1/2	.20
AM-5-9	3/8	9.75	1.12	1.50	1.00	7.00	.88	1/2	.20
AM-6-9	1/8	13.75	.70	1.00	1.50	10.50	.88	1/4	.17
AM-7-9	1/8	13.75	.88	1.25	1.50	10.50	.88	3/8	.20
AM-8-9	1/4	13.75	.88	1.25	1.50	10.50	.88	3/8	.20
AM-9-9	1/4	13.75	1.12	1.50	1.50	10.50	.88	1/2	.20
AM-10-9	3/8	13.75	1.12	1.50	1.50	10.50	.88	1/2	.20

MANIFOLD WITH 9 PORTS 90°



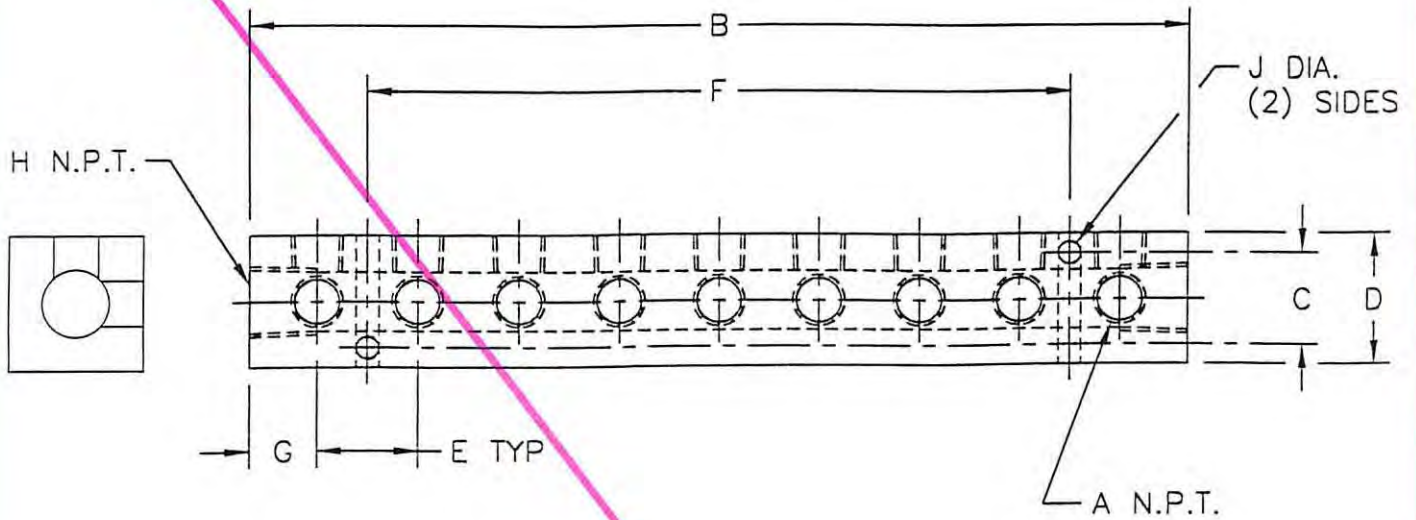
PART NO.	A	B	C	D	E	F	G	H	J
90-AM-1-9	1/8	7.00	.70	1.00	.75	5.25	.50	1/4	.17
90-AM-2-9	1/8	8.50	.88	1.25	.88	6.125	.75	3/8	.20
90-AM-3-9	1/4	8.50	.88	1.25	.88	6.125	.75	3/8	.20
90-AM-4-9	1/4	9.75	1.12	1.50	1.00	7.00	.88	1/2	.20
90-AM-5-9	3/8	9.75	1.12	1.50	1.00	7.00	.88	1/2	.20
90-AM-6-9	1/8	13.75	.70	1.00	1.50	10.50	.88	1/4	.17
90-AM-7-9	1/8	13.75	.88	1.25	1.50	10.50	.88	3/8	.20
90-AM-8-9	1/4	13.75	.88	1.25	1.50	10.50	.88	3/8	.20
90-AM-9-9	1/4	13.75	1.12	1.50	1.50	10.50	.88	1/2	.20
90-AM-10-9	3/8	13.75	1.12	1.50	1.50	10.50	.88	1/2	.20

MANIFOLD WITH 10 PORTS



PART NO.	A	B	C	D	E	F	G	H	J
AM-1-10	1/8	7.75	.70	1.00	.75	6.00	.50	1/4	.17
AM-2-10	1/8	9.38	.88	1.25	.88	7.00	.75	3/8	.20
AM-3-10	1/4	9.38	.88	1.25	.88	7.00	.75	3/8	.20
AM-4-10	1/4	10.75	1.12	1.50	1.00	8.00	.88	1/2	.20
AM-5-10	3/8	10.75	1.12	1.50	1.00	8.00	.88	1/2	.20
AM-6-10	1/8	15.25	.70	1.00	1.50	12.00	.88	1/4	.17
AM-7-10	1/8	15.25	.88	1.25	1.50	12.00	.88	3/8	.20
AM-8-10	1/4	15.25	.88	1.25	1.50	12.00	.88	3/8	.20
AM-9-10	1/4	15.25	1.12	1.50	1.50	12.00	.88	1/2	.20
AM-10-10	3/8	15.25	1.12	1.50	1.50	12.00	.88	1/2	.20

MANIFOLD WITH 10 PORTS 90°

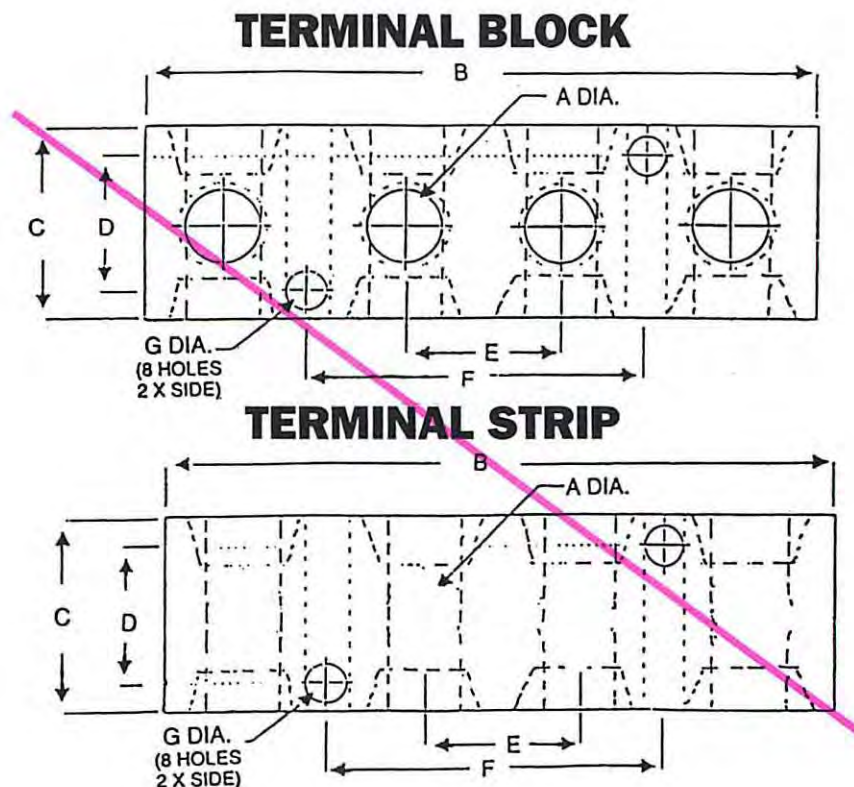


PART NO.	A	B	C	D	E	F	G	H	J
90-AM-1-10	1/8	7.75	.70	1.00	.75	6.00	.50	1/4	.17
90-AM-2-10	1/8	9.38	.88	1.25	.88	7.00	.75	3/8	.20
90-AM-3-10	1/4	9.38	.88	1.25	.88	7.00	.75	3/8	.20
90-AM-4-10	1/4	10.75	1.12	1.50	1.00	8.00	.88	1/2	.20
90-AM-5-10	3/8	10.75	1.12	1.50	1.00	8.00	.88	1/2	.20
90-AM-6-10	1/8	15.25	.70	1.00	1.50	12.00	.88	1/4	.17
90-AM-7-10	1/8	15.25	.88	1.25	1.50	12.00	.88	3/8	.20
90-AM-8-10	1/4	15.25	.88	1.25	1.50	12.00	.88	3/8	.20
90-AM-9-10	1/4	15.25	1.12	1.50	1.50	12.00	.88	1/2	.20
90-AM-10-10	3/8	15.25	1.12	1.50	1.50	12.00	.88	1/2	.20

Because of customer demand, Alumi-Tec is pleased to offer some new items.

Besides the 292 different sizes of manifolds offered in our catalog that are in stock for immediate delivery, Alumi-Tec can now provide its customers with **JUNCTION BLOCKS, TERMINALS STRIPS,** and **SPECIAL BLOCKS,** made to your specifications, including BSPT and SAE ports.

Please FAX your drawing to 1-800-338-4811. We've enclosed a FAX sheet for your convenience – please see page 23.



**Specials
in 24 Hours!**



1-800-327-7558 FAX 1-800-338-4811

FAX ALUMI-TEC YOUR PRINT OR REQUIREMENTS

Company Name _____

Your Name _____

Address _____

City, State, Zip _____

Phone # (_____) _____ FAX # (_____) _____

Custom Orders Ship within 24 Hours

1-800-327-7558

FAX 1-800-338-4811



CATALOG 96-A