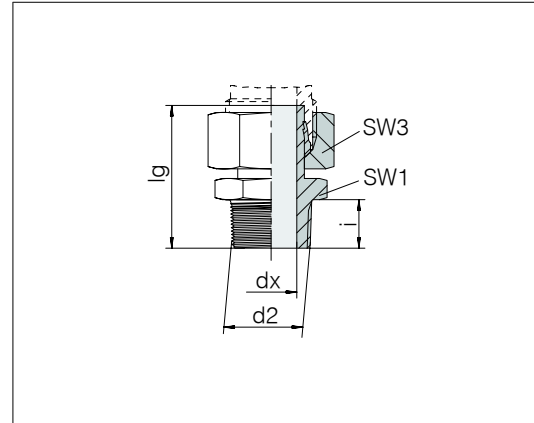


## Straight stud standpipe adapters

Male thread: NPT (ANSI/ASME B 1 - 20.01.1983)

Tube socket pre-assembled



3

Series	d2	Pressure	dx	lg	SW1	SW3	i	Nm -10 %	kg/100 ca.	Order designation
L 6	1/8 NPT	PN 315	3.5	33	11	14	9.9	15	2.2	24-SWSDS-L6-N1/8T
L 8	1/4 NPT	PN 315	5	39.6	14	17	15.1	35	3.5	24-SWSDS-L8-N1/4T
L 10	1/4 NPT	PN 315	7	40.6	14	19	15.1	35	4.2	24-SWSDS-L10-N1/4T
L 12	3/8 NPT	PN 315	7	43	19	22	15.2	55	7.2	24-SWSDS-L12-N3/8T
L 15	1/2 NPT	PN 315	11	48.5	22	27	19.8	110	11.0	24-SWSDS-L15-N1/2T
L 18	1/2 NPT	PN 315	13	48	22	32	19.8	110	13.0	24-SWSDS-L18-N1/2T
L 22	3/4 NPT	PN 160	17	50	27	36	20.1	175	18.2	24-SWSDS-L22-N3/4T
L 28	1 NPT	PN 160	22.5	57	36	41	25	265	25.9	24-SWSDS-L28-N1T
L 35	1 1/4 NPT	PN 160	29	65	46	50	25.6	315	42.8	24-SWSDS-L35-N11/4T
L 42	1 1/2 NPT	PN 160	35	69	50	60	26	385	57.5	24-SWSDS-L42-N11/2T
S 6	1/4 NPT	PN 630	3.5	40	14	17	15.1	35	4.3	24-SWSDS-S6-N1/4T
S 8	1/4 NPT	PN 630	4.5	42	14	19	15.1	35	4.9	24-SWSDS-S8-N1/4T
S 10	3/8 NPT	PN 630	6	44	19	22	15.2	55	8.0	24-SWSDS-S10-N3/8T
S 12	3/8 NPT	PN 630	7	46	19	24	15.2	55	8.6	24-SWSDS-S12-N3/8T
S 14	1/2 NPT	PN 630	9	53	22	27	19.8	110	13.8	24-SWSDS-S14-N1/2T
S 16	1/2 NPT	PN 400	11	52.8	22	30	19.8	110	14.7	24-SWSDS-S16-N1/2T
S 20	3/4 NPT	PN 400	15	60	27	36	20.1	175	23.9	24-SWSDS-S20-N3/4T
S 25	1 NPT	PN 400	18	69	36	46	25	265	46.0	24-SWSDS-S25-N1T
S 30	1 1/4 NPT	PN 400	22.5	72.6	46	50	25.6	315	65.2	24-SWSDS-S30-N11/4T
S 38	1 1/2 NPT	PN 315	28.5	83	50	60	26	385	86.3	24-SWSDS-S38-N11/2T

Example for comp. :  
EVGE06L1/8NPT