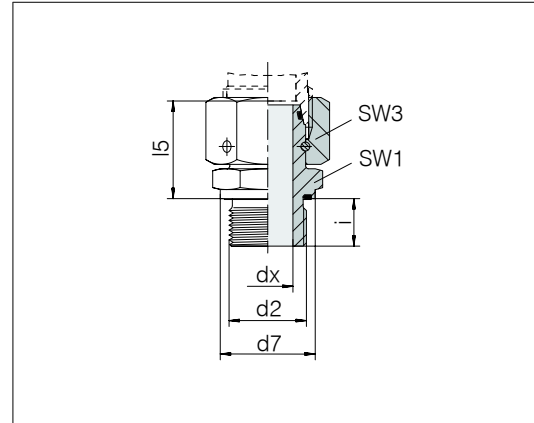


Straight stud standpipe adapters

With taper and O-ring
fit in bore type W DIN 3861 / ISO 8434-1

Male thread: Whitworth pipe thread, parallel

Sealing with PEFLEX profile seal ring



3

| Series | d2 | Pressure | d7 | dx | l5 | SW1 | SW3 | i | Nm -10 % | kg/100 ca. | Order designation |
|---------|-----------|----------|------|-----|------|-----|-----|----|-------------|---------------|------------------------|
| Tube OD | | | | | | | | | | | |
| L 6 | G 1/8 A | PN 500 | 13.9 | 2.5 | 24.5 | 14 | 14 | 8 | 20 | 2.6 | 24-SWOSDS-L6-G1/8E • |
| L 8 | G 1/8 A | PN 500 | 13.9 | 4 | 24 | 14 | 17 | 8 | 20 | 3.3 | 24-SWOSDS-L8-G1/8E |
| L 8 | G 1/4 A | PN 500 | 18.9 | 4.5 | 29.5 | 19 | 17 | 12 | 50 | 5.7 | 24-SWOSDS-L8-G1/4E • |
| L 10 | G 1/4 A | PN 500 | 18.9 | 6 | 27.5 | 19 | 19 | 12 | 50 | 5.6 | 24-SWOSDS-L10-G1/4E • |
| L 10 | G 3/8 A | PN 400 | 21.9 | 6 | 28 | 22 | 19 | 12 | 80 | 7.3 | 24-SWOSDS-L10-G3/8E |
| L 10 | G 1/2 A | PN 400 | 26.9 | 6 | 28.5 | 27 | 19 | 14 | 100 | 9.8 | 24-SWOSDS-L10-G1/2E |
| L 12 | G 1/4 A | PN 500 | 18.9 | 6 | 27.5 | 19 | 22 | 12 | 50 | 6.9 | 24-SWOSDS-L12-G1/4E |
| L 12 | G 3/8 A | PN 400 | 21.9 | 8 | 34 | 22 | 22 | 12 | 80 | 9.6 | 24-SWOSDS-L12-G3/8E • |
| L 12 | G 1/2 A | PN 400 | 26.9 | 8 | 32 | 27 | 22 | 14 | 100 | 11.8 | 24-SWOSDS-L12-G1/2E |
| L 15 | G 3/8 A | PN 400 | 21.9 | 9 | 32.5 | 22 | 27 | 12 | 80 | 11.6 | 24-SWOSDS-L15-G3/8E |
| L 15 | G 1/2 A | PN 400 | 26.9 | 10 | 32 | 27 | 27 | 14 | 100 | 14.1 | 24-SWOSDS-L15-G1/2E • |
| L 15 | G 3/4 A | PN 250 | 31.9 | 10 | 30.5 | 32 | 27 | 14 | 100 | 15.4 | 24-SWOSDS-L15-G3/4E |
| L 18 | G 1/2 A | PN 400 | 26.9 | 13 | 31.5 | 27 | 32 | 14 | 100 | 14.4 | 24-SWOSDS-L18-G1/2E • |
| L 18 | G 3/4 A | PN 250 | 31.9 | 13 | 31 | 32 | 32 | 16 | 180 | 17.2 | 24-SWOSDS-L18-G3/4E |
| L 22 | G 1/2 A | PN 250 | 26.9 | 14 | 32 | 27 | 36 | 14 | 100 | 17.1 | 24-SWOSDS-L22-G1/2E |
| L 22 | G 3/4 A | PN 250 | 31.9 | 17 | 32.5 | 32 | 36 | 16 | 180 | 20.1 | 24-SWOSDS-L22-G3/4E • |
| L 28 | G 3/4 A | PN 250 | 31.9 | 17 | 35 | 32 | 41 | 16 | 180 | 23.5 | 24-SWOSDS-L28-G3/4E |
| L 28 | G 1 A | PN 250 | 39.9 | 22 | 35 | 41 | 41 | 18 | 230 | 29.3 | 24-SWOSDS-L28-G1E • |
| L 35 | G 1 1/4 A | PN 250 | 49.9 | 28 | 42.5 | 50 | 50 | 20 | 330 | 50.9 | 24-SWOSDS-L35-G11/4E • |
| L 42 | G 1 1/2 A | PN 250 | 54.9 | 34 | 46.5 | 55 | 60 | 22 | 500 | 72.2 | 24-SWOSDS-L42-G11/2E • |

• Standard size

Example for comp. :
EGE06LRED
ISO 8434-1-SWOSDS-L6x1/8A-E-St

Continued on following page

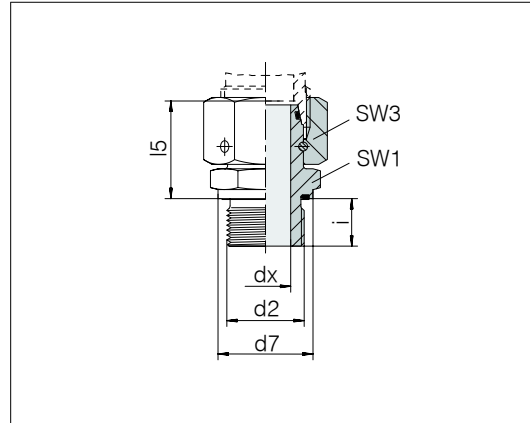


Straight stud standpipe adapters

With taper and O-ring
fit in bore type W DIN 3861 / ISO 8434-1

Male thread: Whitworth pipe thread, parallel

Sealing with PEFLEX profile seal ring



| Series Tube OD | d2 | Pressure | d7 | dx | l5 | SW1 | SW3 | i | Nm -10 % | kg/100 ca. | Order designation |
|-------------------|-----------|----------|------|-----|------|-----|-----|----|-------------|---------------|------------------------|
| S 6 | G 1/4 A | PN 800 | 18.9 | 2.5 | 27 | 19 | 17 | 12 | 60 | 5.4 | 24-SWOSDS-S6-G1/4E • |
| S 8 | G 1/4 A | PN 800 | 18.9 | 4 | 29.5 | 19 | 19 | 12 | 60 | 6.4 | 24-SWOSDS-S8-G1/4E • |
| S 10 | G 1/4 A | PN 800 | 18.9 | 5 | 32 | 19 | 22 | 12 | 60 | 8.7 | 24-SWOSDS-S10-G1/4E • |
| S 10 | G 3/8 A | PN 800 | 21.9 | 6 | 32 | 22 | 22 | 12 | 90 | 9.4 | 24-SWOSDS-S10-G3/8E • |
| S 12 | G 1/4 A | PN 630 | 18.9 | 5 | 30 | 19 | 24 | 12 | 60 | 7.9 | 24-SWOSDS-S12-G1/4E • |
| S 12 | G 3/8 A | PN 630 | 21.9 | 8 | 34 | 22 | 24 | 12 | 90 | 10.0 | 24-SWOSDS-S12-G3/8E • |
| S 12 | G 1/2 A | PN 630 | 26.9 | 8 | 35.5 | 27 | 24 | 14 | 150 | 14.4 | 24-SWOSDS-S12-G1/2E • |
| S 14 | G 1/2 A | PN 630 | 26.9 | 9 | 36.5 | 27 | 27 | 14 | 150 | 16.4 | 24-SWOSDS-S14-G1/2E • |
| S 16 | G 1/2 A | PN 630 | 26.9 | 11 | 37 | 27 | 30 | 14 | 150 | 17.1 | 24-SWOSDS-S16-G1/2E • |
| S 16 | G 3/4 A | PN 420 | 31.9 | 11 | 39.5 | 32 | 30 | 16 | 200 | 24.4 | 24-SWOSDS-S16-G3/4E • |
| S 20 | G 1/2 A | PN 420 | 26.9 | 12 | 43 | 27 | 36 | 14 | 150 | 21.2 | 24-SWOSDS-S20-G1/2E • |
| S 20 | G 3/4 A | PN 420 | 31.9 | 14 | 43 | 32 | 36 | 16 | 200 | 27.2 | 24-SWOSDS-S20-G3/4E • |
| S 25 | G 3/4 A | PN 420 | 31.9 | 16 | 48 | 32 | 46 | 16 | 200 | 39.7 | 24-SWOSDS-S25-G3/4E • |
| S 25 | G 1 A | PN 420 | 39.9 | 18 | 48 | 41 | 46 | 18 | 250 | 50.6 | 24-SWOSDS-S25-G1E • |
| S 30 | G 1 A | PN 420 | 39.9 | 18 | 51.5 | 41 | 50 | 18 | 250 | 54.4 | 24-SWOSDS-S30-G1E • |
| S 30 | G 1 1/4 A | PN 420 | 49.9 | 23 | 51 | 50 | 50 | 20 | 500 | 68.5 | 24-SWOSDS-S30-G11/4E • |
| S 38 | G 1 1/4 A | PN 420 | 49.9 | 25 | 54.5 | 50 | 60 | 22 | 600 | 78.9 | 24-SWOSDS-S38-G11/4E • |
| S 38 | G 1 1/2 A | PN 420 | 54.9 | 30 | 60 | 55 | 60 | 22 | 600 | 95.5 | 24-SWOSDS-S38-G11/2E • |

• Standard size