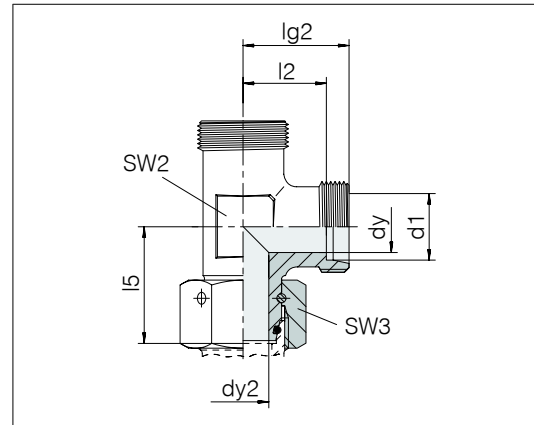


Adjustable L couplings

With taper and O-ring

Standard O-ring material is FPM/FKM



3

Series	Tube OD	Pressure	dy	dy2	lg2	l2	l5	SW2	SW3	kg/100 ca.	Order designation
L	6	PN 500	4	2.5	19	12	26	12	14	4.8	24-SWOL-L6-P
L	8	PN 500	6	4.5	21	14	27.5	14	17	7.0	24-SWOL-L8-P
L	10	PN 500	8	6	22	15	29	17	19	9.6	24-SWOL-L10-P
L	12	PN 400	10	8	24	17	29.5	19	22	12.0	24-SWOL-L12-P
L	15	PN 400	12	10	28	21	32.5	19	27	15.4	24-SWOL-L15
L	18	PN 400	15	13	31	23.5	35.5	24	32	21.3	24-SWOL-L18
L	22	PN 250	19	17	35	27.5	38.5	27	36	28.1	24-SWOL-L22
L	28	PN 250	24	22	38	30.5	41.5	36	41	39.2	24-SWOL-L28
L	35	PN 250	30	28	45	34.5	51	41	50	67.7	24-SWOL-L35
L	42	PN 250	36	34	51	40	56	50	60	112.4	24-SWOL-L42
S	6	PN 800	4	2.5	23	16	27	14	17	7.8	24-SWOL-S6-P
S	8	PN 800	5	4	24	17	27.5	17	19	10.2	24-SWOL-S8-P
S	10	PN 800	7	6	25	17.5	30	19	22	14.0	24-SWOL-S10-P
S	12	PN 630	8	8	29	21.5	31	17	24	13.3	24-SWOL-S12
S	14	PN 630	10	9	30	22	35	19	27	18.0	24-SWOL-S14
S	16	PN 630	12	11	33	24.5	36.5	24	30	22.6	24-SWOL-S16
S	20	PN 420	16	14	37	26.5	44.5	27	36	35.3	24-SWOL-S20
S	25	PN 420	20	18	42	30	50	36	46	62.8	24-SWOL-S25
S	30	PN 420	25	23	49	35.5	55	41	50	91.7	24-SWOL-S30
S	38	PN 420	32	30	57	41	63	50	60	149.3	24-SWOL-S38

Example for comp. :
 ELO6LVITOMD
 ISO 8434-1-SWORT-L6-St