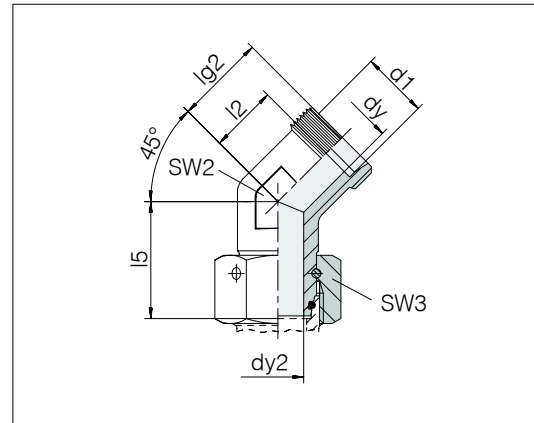


## Adjustable 45° elbow couplings

With taper and O-ring

Standard O-ring material is FPM/FKM



3

Series	Tube OD	Pressure	dy	dy2	lg2	l2	l5	SW2	SW3	kg/100 ca.	Order designation
L	6	PN 500	4	2.5	21	14	26	19	14	6.9	24-SWOE45-L6
L	8	PN 500	6	4	22	15	27.5	19	17	7.0	24-SWOE45-L8
L	10	PN 500	8	6	23	16	29	19	19	7.8	24-SWOE45-L10
L	12	PN 400	10	8	24	17	29.5	19	22	8.6	24-SWOE45-L12
L	15	PN 400	12	10	24	17	32.5	19	27	12.6	24-SWOE45-L15
L	18	PN 400	15	13	26.5	19	35.5	24	32	17.8	24-SWOE45-L18
L	22	PN 250	19	17	30	22.5	38.5	27	36	23.6	24-SWOE45-L22
L	28	PN 250	24	22	32	24.5	41.5	36	41	33.6	24-SWOE45-L28
L	35	PN 250	30	28	37.5	27	51	41	50	54.6	24-SWOE45-L35
L	42	PN 250	36	34	37	26	56	50	60	83.6	24-SWOE45-L42
S	6	PN 800	4	2.5	23	16	27	19	17	7.3	24-SWOE45-S6
S	8	PN 800	5	4	23	16	27.5	19	19	8.2	24-SWOE45-S8
S	10	PN 800	7	6	24	16.5	30	19	22	9.5	24-SWOE45-S10
S	12	PN 630	8	8	24.5	17	31	19	24	11.2	24-SWOE45-S12
S	14	PN 630	10	9	25	17	35	19	27	13.6	24-SWOE45-S14
S	16	PN 630	12	11	27.5	19	36.5	24	30	18.8	24-SWOE45-S16
S	20	PN 420	16	14	32	21.5	44.5	27	36	28.6	24-SWOE45-S20
S	25	PN 420	20	18	35	23	50	36	46	52.3	24-SWOE45-S25
S	30	PN 420	25	23	37.5	24	55	41	50	69.7	24-SWOE45-S30
S	38	PN 420	32	30	37	21	63	50	60	106.8	24-SWOE45-S38

Example for comp. :  
EVO6LVITOMD  
ISO 8434-1-SWOE45-L6-St