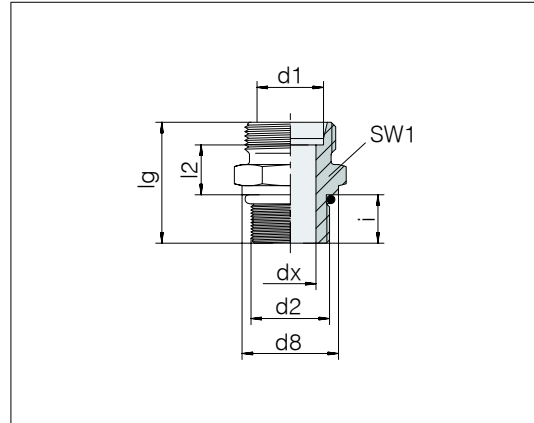


## Straight male stud couplings

Male thread: UN/UNF

Sealing with O-ring

Standard O-ring material is NBR



3

Series	d2	Pressure	d8	dx	lg	l2	SW1	i	Nm -10 %	kg/100 ca.	Order designation
L 6	7/16-20 UNF-2A	PN 500	15.8	4	25.2	9	17	9.2	25	1.9	24-SDS-L6-U7/16-20F
L 6	9/16-18 UNF-2A	PN 500	17.7	4	27	15	32	15	30	2.5	24-SDS-L6-U9/16-18F
L 8	7/16-20 UNF-2A	PN 500	15.8	5	26.2	10	17	9.2	25	2.1	24-SDS-L8-U7/16-20F
L 8	1/2-20 UNF-2A	PN 500	16.2	6	26.2	10	17	9.2	28	2.2	24-SDS-L8-U1/2-20F
L 8	9/16-18 UNF-2A	PN 500	17.7	6	27	10	19	10	30	2.8	24-SDS-L8-U9/16-18F
L 8	3/4-16 UNF-2A	PN 400	23	6	30	11.8	24	11.2	55	4.3	24-SDS-L8-U3/4-16F
L 10	7/16-20 UNF-2A	PN 500	15.8	5	28.2	12	17	9.2	25	2.4	24-SDS-L10-U7/16-20F
L 10	9/16-18 UNF-2A	PN 500	17.7	7	28	11	19	10	30	2.8	24-SDS-L10-U9/16-18F
L 10	3/4-16 UNF-2A	PN 400	23	8	31	12.8	24	11.2	55	4.4	24-SDS-L10-U3/4-16F
L 10	7/8-14 UNF-2A	PN 400	27	7	32.5	12.8	27	12.7	60	7.6	24-SDS-L10-U7/8-14F
L 12	7/16-20 UNF-2A	PN 400	17.7	5	28.5	12.3	19	9.2	25	2.6	24-SDS-L12-U7/16-20F
L 12	1/2-20 UNF-2A	PN 400	16.8	6	28.5	12.3	19	9.2	28	3.0	24-SDS-L12-U1/2-20F
L 12	9/16-18 UNF-2A	PN 400	17.7	7	29.5	12.5	19	10	30	3.2	24-SDS-L12-U9/16-18F
L 12	3/4-16 UNF-2A	PN 400	23	9	30.7	12.5	24	11.2	55	4.5	24-SDS-L12-U3/4-16F
L 12	7/8-14 UNF-2A	PN 400	27	10	32.7	13	27	12.7	60	7.0	24-SDS-L12-U7/8-14F
L 15	9/16-18 UNF-2A	PN 400	17.7	7	31	14	24	10	30	4.8	24-SDS-L15-U9/16-18F
L 15	3/4-16 UNF-2A	PN 400	23	11	32.2	14	24	11.2	55	5.4	24-SDS-L15-U3/4-16F
L 15	7/8-14 UNF-2A	PN 400	27	11	33.7	14	27	12.7	60	7.5	24-SDS-L15-U7/8-14F
L 15	1 1/16-12 UN-2A	PN 400	32	12	37	15	32	15	110	11.7	24-SDS-L15-U11/16-12F
L 15	1 5/16-12 UN-2A	PN 250	38.1	12	37	15	41	15	165	18.7	24-SDS-L15-U15/16-12F
L 18	3/4-16 UNF-2A	PN 400	23	12	33.2	14.5	27	11.2	55	6.6	24-SDS-L18-U3/4-16F
L 18	7/8-14 UNF-2A	PN 400	27	14	34.7	14.5	27	12.7	60	7.4	24-SDS-L18-U7/8-14F
L 18	1 1/16-12 UN-2A	PN 400	32	15	37	14.5	32	15	110	9.6	24-SDS-L18-U11/16-12F
L 18	1 5/16-12 UN-2A	PN 250	38.1	15	37	14.5	41	15	165	18.3	24-SDS-L18-U15/16-12F
L 22	7/8-14 UNF-2A	PN 250	27	12	36.7	16.5	32	12.7	60	9.8	24-SDS-L22-U7/8-14F
L 22	1 1/16-12 UN-2A	PN 250	32	18	39	16.5	32	15	110	10.2	24-SDS-L22-U11/16-12F
L 22	1 5/16-12 UN-2A	PN 250	38.1	18	39	16.5	41	15	165	17.3	24-SDS-L22-U15/16-12F
L 22	1 5/8-12 UN-2A	PN 250	48	19	40	17.5	50	15	200	28.7	24-SDS-L22-U15/8-12F

Example for comp. :  
GE06L7/16UNFOMD

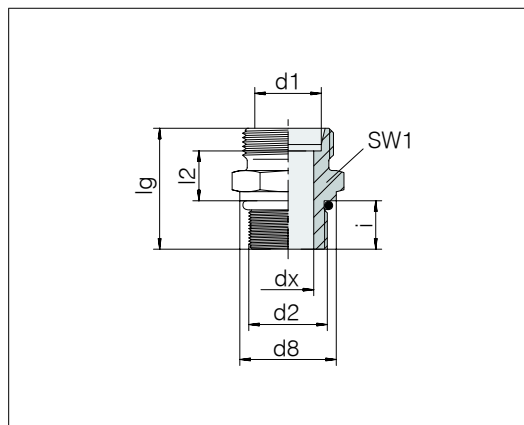
Continued on following page

## Straight male stud couplings

Male thread: UN/UNF

Sealing with O-ring

Standard O-ring material is NBR



Series	Tube OD	d2	Pressure	d8	dx	lg	l2	SW1	i	Nm -10 %	kg/100 ca.	Order designation
L	28	7/8-14 UNF-2A	PN 250	27	12	37.7	17.5	41	12.7	60	13.7	24-SDS-L28-U7/8-14F
L	28	1 1/16-12 UN-2A	PN 250	32	18	40	17.5	41	15	110	14.3	24-SDS-L28-U11/16-12F
L	28	1 5/16-12 UN-2A	PN 250	38.1	23	40	17.5	41	15	165	16.2	24-SDS-L28-U15/16-12F
L	28	1 5/8-12 UN-2A	PN 250	48	24	40	17.5	50	15	220	26.4	24-SDS-L28-U15/8-12F
L	35	1 3/16-12 UN-2A	PN 250	35	20	43	17.5	46	15	140	20.3	24-SDS-L35-U13/16-12F
L	35	1 5/16-12 UN-2A	PN 250	39	23	43	17.5	46	15	165	21.1	24-SDS-L35-U15/16-12F
L	35	1 5/8-12 UN-2A	PN 250	48	30	43	17.5	50	15	220	24.9	24-SDS-L35-U15/8-12F
L	35	1 7/8-12 UN-2A	PN 250	54	30	45	19.5	55	15	260	31.2	24-SDS-L35-U17/8-12F
L	42	1 5/8-12 UN-2A	PN 250	48	30	45	19	55	15	220	30.8	24-SDS-L42-U15/8-12F
L	42	1 7/8-12 UN-2A	PN 250	54	36	45	19	55	15	260	31.6	24-SDS-L42-U17/8-12F
S	6	7/16-20 UNF-2A	PN 800	15.8	4	29.2	13	17	9.2	30	2.7	24-SDS-S6-U7/16-20F
S	8	7/16-20 UNF-2A	PN 800	15.8	4	31.2	15	17	9.2	30	3.2	24-SDS-S8-U7/16-20F
S	8	1/2-20 UNF-2A	PN 800	16.2	5	31.2	15	17	9.2	45	3.4	24-SDS-S8-U1/2-20F
S	8	9/16-18 UNF-2A	PN 800	17.7	5	32	15	19	10	75	4.5	24-SDS-S8-U9/16-18F
S	10	9/16-18 UNF-2A	PN 800	17.7	7	32.5	15	19	10	75	4.1	24-SDS-S10-U9/16-18F
S	10	3/4-16 UNF-2A	PN 800	23	7	33.7	15	24	11.2	100	6.6	24-SDS-S10-U3/4-16F
S	12	9/16-18 UNF-2A	PN 800	17.7	7	34.5	17.5	22	10	75	5.5	24-SDS-S12-U9/16-18F
S	12	3/4-16 UNF-2A	PN 630	23	8	36.2	17.5	24	11.2	100	7.4	24-SDS-S12-U3/4-16F
S	12	7/8-14 UNF-2A	PN 630	27	8	36.7	16.5	27	12.7	160	9.7	24-SDS-S12-U7/8-14F
S	14	9/16-18 UNF-2A	PN 630	17.7	7	37	19	24	10	75	6.8	24-SDS-S14-U9/16-18F
S	14	3/4-16 UNF-2A	PN 630	23	10	38.2	19	24	11.2	100	7.6	24-SDS-S14-U3/4-16F
S	16	3/4-16 UNF-2A	PN 630	23	12	38.2	18.5	27	11.2	100	8.1	24-SDS-S16-U3/4-16F
S	16	7/8-14 UNF-2A	PN 630	27	12	37.5	15	30	14	160	8.7	24-SDS-S16-U7/8-14F
S	16	1 1/16-12 UN-2A	PN 630	32	12	42	18.5	32	15	270	14.4	24-SDS-S16-U11/16-12F
S	20	3/4-16 UNF-2A	PN 420	23	10	42.2	20.5	32	11.2	100	12.7	24-SDS-S20-U3/4-16F
S	20	7/8-14 UNF-2A	PN 420	27	12	43.7	20.5	32	12.7	160	13.8	24-SDS-S20-U7/8-14F
S	20	1 1/16-12 UN-2A	PN 420	32	16	46	20.5	32	15	270	15.0	24-SDS-S20-U11/16-12F
S	20	1 5/16-12 UN-2A	PN 420	38.1	16	48	22.5	41	15	270	25.0	24-SDS-S20-U15/16-12F
S	20	1 5/8-12 UN-2A	PN 420	48	16	48	22.5	50	15	450	36.5	24-SDS-S20-U15/8-12F

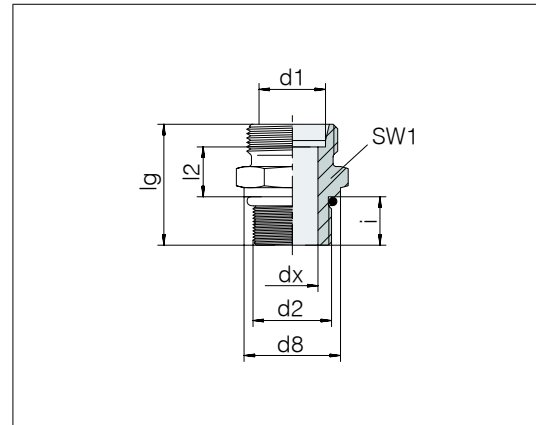
Continued on following page

## Straight male stud couplings

Male thread: UN/UNF

Sealing with O-ring

Standard O-ring material is NBR



3

Series	d2	Pressure	d8	dx	lg	l2	SW1	i	Nm -10 %	kg/100 ca.	Order designation
S 25	1 1/16-12 UN-2A	PN 420	32	16	50	23	41	15	270	23.5	24-SDS-S25-U11/16-12F
S 25	1 5/16-12 UN-2A	PN 420	38.1	20	50	23	41	15	270	25.7	24-SDS-S25-U15/16-12F
S 30	1 1/16-12 UN-2A	PN 420	32	16	52	23.5	46	15	270	30.1	24-SDS-S30-U11/16-12F
S 30	1 5/16-12 UN-2A	PN 420	38.1	22	52	23.5	46	15	430	30.7	24-SDS-S30-U15/16-12F
S 30	1 5/8-12 UN-2A	PN 420	48	25	52	23.5	50	15	450	38.1	24-SDS-S30-U15/8-12F
S 38	1 5/8-12 UN-2A	PN 315	48	32	57	26	55	15	450	51.6	24-SDS-S38-U15/8-12F
S 38	1 7/8-12 UN-2A	PN 315	54	32	57	26	55	15	520	51.9	24-SDS-S38-U17/8-12F