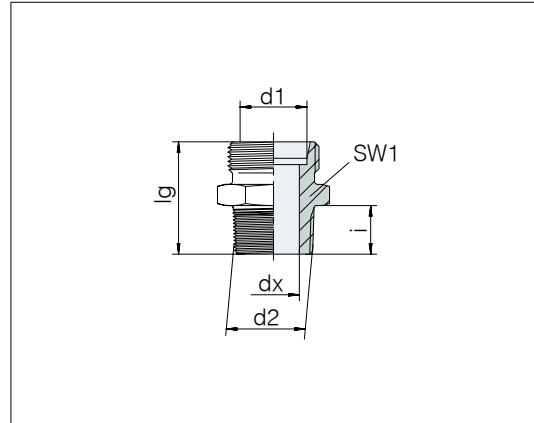


Straight male stud couplings

Male thread: NPT (ANSI/ASME B 1 - 20.01.1983)



3

Series	Tube OD	d2	Pressure	dx	lg	SW1	i	Nm -10 %	kg/100 ca.	Order designation	
LL	4	1/8 NPT	PN 100	4	21.9	11	9.9	15	0.9	24-SDS-LL4-N1/8T	•
LL	6	1/8 NPT	PN 100	6	21.9	11	9.9	15	0.9	24-SDS-LL6-N1/8T	•
LL	8	1/8 NPT	PN 100	8	23.9	12	9.9	15	1.0	24-SDS-LL8-N1/8T	•
L	6	1/8 NPT	PN 315	6	23.9	12	9.9	15	1.2	24-SDS-L6-N1/8T	•
L	6	1/4 NPT	PN 315	6	30	17	15.1	35	2.6	24-SDS-L6-N1/4T	
L	8	1/8 NPT	PN 315	8	24.9	14	9.9	15	1.5	24-SDS-L8-N1/8T	
L	8	1/4 NPT	PN 315	8	30.1	17	15.1	35	2.5	24-SDS-L8-N1/4T	•
L	8	3/8 NPT	PN 315	8	31.2	19	15.2	55	3.9	24-SDS-L8-N3/8T	
L	8	1/2 NPT	PN 315	6	38.5	24	19.8	110	7.1	24-SDS-L8-N1/2T	
L	10	1/8 NPT	PN 315	10	27	17	9.9	15	2.3	24-SDS-L10-N1/8T	
L	10	1/4 NPT	PN 315	10	31.1	17	15.1	35	2.5	24-SDS-L10-N1/4T	•
L	10	3/8 NPT	PN 315	10	32.2	19	15.2	55	3.7	24-SDS-L10-N3/8T	
L	10	1/2 NPT	PN 315	10	37.8	24	19.8	110	7.2	24-SDS-L10-N1/2T	
L	12	1/4 NPT	PN 315	12	32	19	15.1	35	3.2	24-SDS-L12-N1/4T	
L	12	3/8 NPT	PN 315	12	32.2	19	15.2	55	3.6	24-SDS-L12-N3/8T	•
L	12	1/2 NPT	PN 315	12	36.8	24	19.8	110	6.4	24-SDS-L12-N1/2T	
L	15	3/8 NPT	PN 315	15	33.2	24	15.2	55	5.2	24-SDS-L15-N3/8T	
L	15	1/2 NPT	PN 315	15	37.8	24	19.8	110	6.8	24-SDS-L15-N1/2T	•
L	18	3/8 NPT	PN 315	9	34.2	27	15.2	55	8.0	24-SDS-L18-N3/8T	
L	18	1/2 NPT	PN 315	18	38.8	27	19.8	110	7.2	24-SDS-L18-N1/2T	•
L	18	3/4 NPT	PN 160	18	39.1	30	20.1	175	9.1	24-SDS-L18-N3/4T	
L	22	1/2 NPT	PN 160	22	40.8	32	19.8	110	9.9	24-SDS-L22-N1/2T	
L	22	3/4 NPT	PN 160	22	41.1	32	20.1	175	10.1	24-SDS-L22-N3/4T	•
L	28	1 NPT	PN 160	28	47	41	25	265	17.2	24-SDS-L28-N1T	•
L	35	1 1/4 NPT	PN 160	35	50.6	46	25.6	315	25.6	24-SDS-L35-N11/4T	•
L	42	1 1/2 NPT	PN 160	42	53	55	26	385	35.2	24-SDS-L42-N11/2T	•

• Standard size

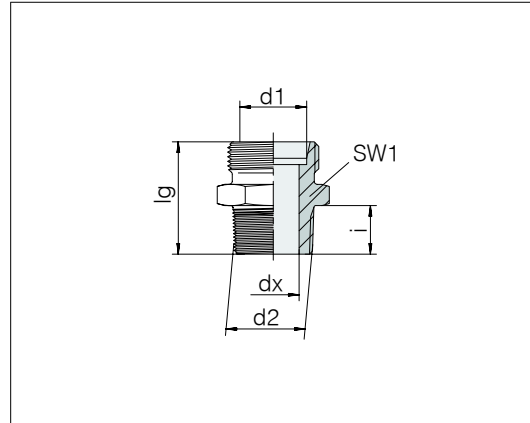
Example for comp.:
GE06L1/8NPTX

Continued on following page



Straight male stud couplings

Male thread: NPT (ANSI/ASME B 1 - 20.01.1983)



Series	d2	Pressure	dx	lg	SW1	i	Nm -10 %	kg/100 ca.	Order designation
S 6	1/4 NPT	PN 630	6	33.1	17	15.1	35	3.3	24-SDS-S6-N1/4T •
S 8	1/4 NPT	PN 630	8	35.1	17	15.1	35	3.8	24-SDS-S8-N1/4T •
S 8	3/8 NPT	PN 630	5	35	19	15.2	55	4.5	24-SDS-S8-N3/8T
S 10	1/8 NPT	PN 630	4	30.9	19	9.9	15	4.0	24-SDS-S10-N1/8T
S 10	1/4 NPT	PN 630	10	35.1	19	15.1	35	4.3	24-SDS-S10-N1/4T
S 10	3/8 NPT	PN 630	10	35.2	19	15.2	55	4.8	24-SDS-S10-N3/8T •
S 10	1/2 NPT	PN 630	7	41.8	24	19.8	110	9.0	24-SDS-S10-N1/2T
S 12	1/4 NPT	PN 630	12	37.1	22	15.1	35	5.8	24-SDS-S12-N1/4T
S 12	3/8 NPT	PN 630	12	37.2	22	15.2	55	6.2	24-SDS-S12-N3/8T •
S 12	1/2 NPT	PN 630	12	41.8	24	19.8	110	9.0	24-SDS-S12-N1/2T
S 14	3/8 NPT	PN 630	14	39	24	15.2	55	7.2	24-SDS-S14-N3/8T
S 14	1/2 NPT	PN 630	14	43.8	27	19.8	110	9.9	24-SDS-S14-N1/2T •
S 16	3/8 NPT	PN 400	16	39.2	27	15.2	55	8.4	24-SDS-S16-N3/8T
S 16	1/2 NPT	PN 400	16	43.8	27	19.8	110	9.4	24-SDS-S16-N1/2T •
S 16	3/4 NPT	PN 400	16	44	30	20.1	175	13.5	24-SDS-S16-N3/4T
S 20	1/2 NPT	PN 400	20	47.8	32	19.8	110	12.7	24-SDS-S20-N1/2T
S 20	3/4 NPT	PN 400	20	48.1	32	20.1	175	14.9	24-SDS-S20-N3/4T •
S 20	1 NPT	PN 400	16	55	36	25	265	25.0	24-SDS-S20-N1T
S 25	3/4 NPT	PN 400	25	52.1	41	20.1	175	22.7	24-SDS-S25-N3/4T
S 25	1 NPT	PN 400	25	57	41	25	265	28.1	24-SDS-S25-N1T •
S 30	1 NPT	PN 400	22	59	46	25	265	32.2	24-SDS-S30-N1T
S 30	1 1/4 NPT	PN 400	30	59.6	46	25.6	315	39.3	24-SDS-S30-N11/4T •
S 38	1 1/2 NPT	PN 315	38	65	55	26	385	57.2	24-SDS-S38-N11/2T •

• Standard size