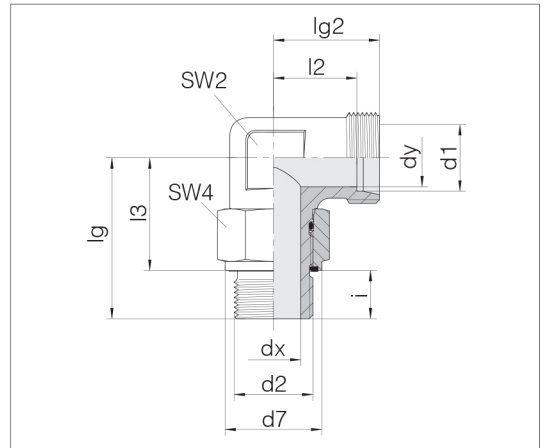


## Adjustable elbow couplings with lock nut

Male thread: Whitworth pipe thread, parallel

Sealing with PEFLEX profile seal ring

Standard profile seal ring and O-ring material (internal sealing) is NBR



Series	d2	Pressure	d7	dx	dy	lg	lg2	l2	l3	SW2	SW4	i	kg/100 ca.	Order designation
L 6	G 1/8 A	PN 315	13.9	4	4	29	21	14	21	14	14	8	4.1	24-SDAE-L6-G1/8E •
L 6	G 1/4 A	PN 315	18.9	7	4	38	23	16	26	17	19	12	7.8	24-SDAE-L6-G1/4E
L 8	G 1/4 A	PN 315	18.9	7	6	38	23	16	26	17	19	12	7.9	24-SDAE-L8-G1/4E •
L 8	G 3/8 A	PN 315	21.9	9	6	41	25	18	29.1	19	22	11.9	11.0	24-SDAE-L8-G3/8E
L 10	G 1/4 A	PN 315	18.9	7	8	38	24	17	26	17	19	12	7.9	24-SDAE-L10-G1/4E •
L 12	G 1/4 A	PN 315	18.9	7	10	48	24	17	26	17	19	12	7.6	24-SDAE-L12-G1/4E
L 12	G 3/8 A	PN 315	21.9	10	10	41	26	19	29	19	22	12	11.2	24-SDAE-L12-G3/8E •
L 12	G 1/2 A	PN 250	26.9	12.5	10	44	28	21	30	22	27	14	15.4	24-SDAE-L12-G1/2E
L 15	G 1/2 A	PN 250	26.9	12.5	12	44	28	21	30	22	27	14	15.3	24-SDAE-L15-G1/2E •
L 18	G 1/2 A	PN 250	26.9	12.5	15	51	33	25.5	37	27	27	14	25.9	24-SDAE-L18-G1/2E •
L 18	G 3/4 A	PN 160	32.9	15.5	15	55	33	25.5	39.1	27	36	15.9	32.6	24-SDAE-L18-G3/4E •
L 22	G 1/2 A	PN 160	26.9	12.5	19	51	35	27.5	37	27	27	14	24.5	24-SDAE-L22-G1/2E
L 22	G 3/4 A	PN 160	35.9	18	19	55	35	27.5	39	27	36	16	33.6	24-SDAE-L22-G3/4E •
L 28	G 3/4 A	PN 160	35.9	15.5	24	60.5	38	30.5	44.5	36	36	16	43.7	24-SDAE-L28-G3/4E
L 28	G 1 A	PN 160	40.9	21.5	24	68.5	40	32.5	50.5	41	41	18	70.5	24-SDAE-L28-G1E •
L 35	G 1 1/4 A	PN 160	49.9	27.5	30	76	46.5	36	56	50	50	20	111.5	24-SDAE-L35-G11/4E •
L 42	G 1 1/2 A	PN 160	54.9	33	36	79.5	51	40	57.5	50	55	22	115.4	24-SDAE-L42-G11/2E •
S 6	G 1/4 A	PN 315	18.9	6	4	38	25	18	26	17	19	12	8.7	24-SDAE-S6-G1/4E •
S 8	G 1/4 A	PN 315	18.9	7	5	38	25	18	26	17	19	12	8.5	24-SDAE-S8-G1/4E •
S 10	G 3/8 A	PN 315	21.9	10	7	41	27	19.5	29	19	22	12	12.1	24-SDAE-S10-G3/8E •
S 12	G 3/8 A	PN 315	21.9	10	8	41	29	21.5	29	19	22	12	12.1	24-SDAE-S12-G3/8E •
S 14	G 1/2 A	PN 315	26.9	10	10	44	30	22	30	24	27	14	19.3	24-SDAE-S14-G1/2E •
S 16	G 1/2 A	PN 315	26.9	10	12	51	35	26.5	37	27	27	14	27.3	24-SDAE-S16-G1/2E •
S 16	G 3/4 A	PN 250	35.9	15.5	12	55	35	26.5	39	27	36	16	35.3	24-SDAE-S16-G3/4E
S 20	G 3/4 A	PN 250	35.9	15.5	16	55	38	27.5	39	27	36	16	36.2	24-SDAE-S20-G3/4E •
S 25	G 3/4 A	PN 250	35.9	15.5	20	60.5	42	30	44.5	36	36	16	46.5	24-SDAE-S25-G3/4E
S 25	G 1 A	PN 250	40.9	21.5	20	68.5	44	32	50.5	41	41	18	75.0	24-SDAE-S25-G1E •
S 30	G 1 1/4 A	PN 160	49.9	27.5	25	76	50	36.5	56	50	50	20	118.7	24-SDAE-S30-G11/4E •
S 38	G 1 1/2 A	PN 160	54.9	33	32	79.5	57	41	57.5	50	55	22	129.5	24-SDAE-S38-G11/2E •

● Standard size