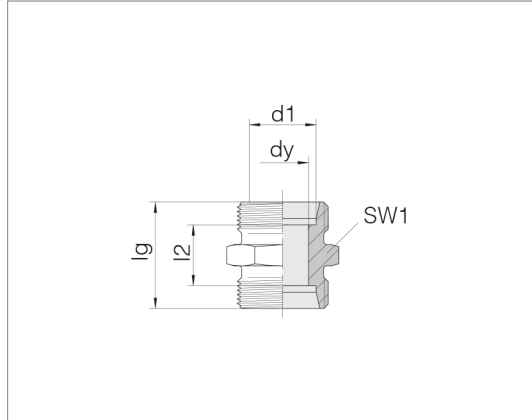


Straight couplings

For tube to tube connection according to
DIN 2353 / ISO 8434-1



| Series | Pressure | d_y | l_g | l_2 | SW1 | kg/100 ca. | Order designation |
|------------------|----------|-------|-------|-------|-----|------------|-------------------|
| Tube OD d_1 | | | | | | | |
| LL 4 | PN 100 | 3 | 20 | 12 | 9 | 0.5 | 24-S-LL4 |
| LL 5 | PN 100 | 3.5 | 20 | 9 | 11 | 0.8 | 24-S-LL5 |
| LL 6 | PN 100 | 4.5 | 20 | 9 | 11 | 0.7 | 24-S-LL6 |
| LL 8 | PN 100 | 6 | 23 | 12 | 12 | 1.0 | 24-S-LL8 |
| L 6 | PN 500 | 4 | 24 | 10 | 12 | 1.2 | 24-S-L6 |
| L 8 | PN 500 | 6 | 25 | 11 | 14 | 1.6 | 24-S-L8 |
| L 10 | PN 500 | 8 | 27 | 13 | 17 | 2.2 | 24-S-L10 |
| L 12 | PN 400 | 10 | 28 | 14 | 19 | 2.8 | 24-S-L12 |
| L 15 | PN 400 | 12 | 30 | 16 | 24 | 4.9 | 24-S-L15 |
| L 18 | PN 400 | 15 | 31 | 16 | 27 | 6.7 | 24-S-L18 |
| L 22 | PN 250 | 19 | 35 | 20 | 32 | 8.8 | 24-S-L22 |
| L 28 | PN 250 | 24 | 36 | 21 | 41 | 13.6 | 24-S-L28 |
| L 35 | PN 250 | 30 | 41 | 20 | 46 | 21.0 | 24-S-L35 |
| L 42 | PN 250 | 36 | 43 | 21 | 55 | 29.4 | 24-S-L42 |
| S 6 | PN 800 | 4 | 30 | 16 | 14 | 2.5 | 24-S-S6 |
| S 8 | PN 800 | 5 | 32 | 18 | 17 | 3.7 | 24-S-S8 |
| S 10 | PN 800 | 7 | 32 | 17 | 19 | 4.3 | 24-S-S10 |
| S 12 | PN 630 | 8 | 34 | 19 | 22 | 5.9 | 24-S-S12 |
| S 14 | PN 630 | 10 | 38 | 22 | 24 | 7.5 | 24-S-S14 |
| S 16 | PN 630 | 12 | 38 | 21 | 27 | 8.7 | 24-S-S16 |
| S 20 | PN 420 | 16 | 44 | 23 | 32 | 14.2 | 24-S-S20 |
| S 25 | PN 420 | 20 | 50 | 26 | 41 | 25.0 | 24-S-S25 |
| S 30 | PN 420 | 25 | 54 | 27 | 46 | 32.3 | 24-S-S30 |
| S 38 | PN 420 | 32 | 61 | 29 | 55 | 53.8 | 24-S-S38 |

Example for comp. :
G06LX
ISO 8434-1-S-L6-St

